



MADE IN THE USA
SINCE 1999

WHEEL PULLDOWN FAUCET INSTALLATION INSTRUCTIONS

Model #s:
5100
5125
5130



BEFORE YOU BEGIN YOUR INSTALLATION:

1



Turn off water supply.

2



Observe all local plumbing codes.

3



Inspect plumbing for signs of damage. Replace as necessary.

4



DO NOT use petroleum based products on this faucet.

REQUIRED TOOLS:



Adjustable Wrench



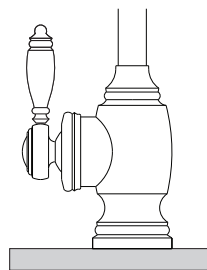
Phillips Screwdriver



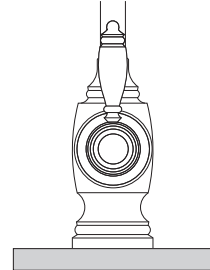
Channel Locks

HANDLE POSITION

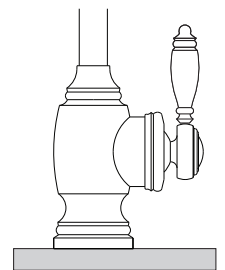
Waterstone faucets are designed to be installed in 3 different faucet positions. Choose to have the handle on left, front or right. Your faucet is factory configured for the most common positions - a front and right side installation. To reverse this and have the handle positioned on the left, connect the hose for cold water to the hot supply and the hose for hot water to the cold supply. This will maintain the relationship of pulling the handle for hot water or pushing for cold water.



HANDLE ON LEFT



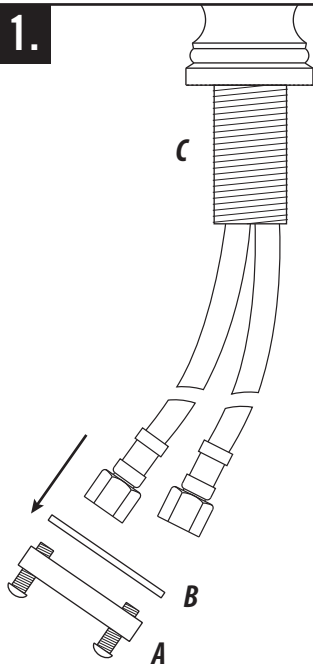
HANDLE IN FRONT



HANDLE ON RIGHT

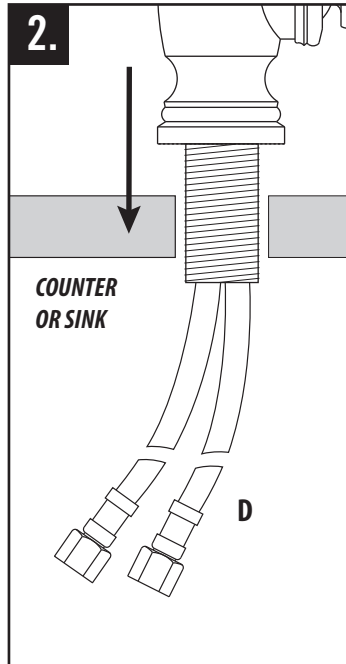
TRADITIONAL OR CONTEMPORARY WHEEL FAUCET INSTALLATION

1.



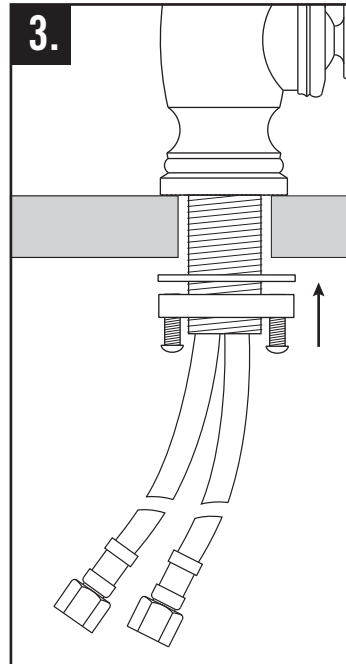
Remove the clamp nut (A) and washer (B) from the threaded shroud (C).

2.



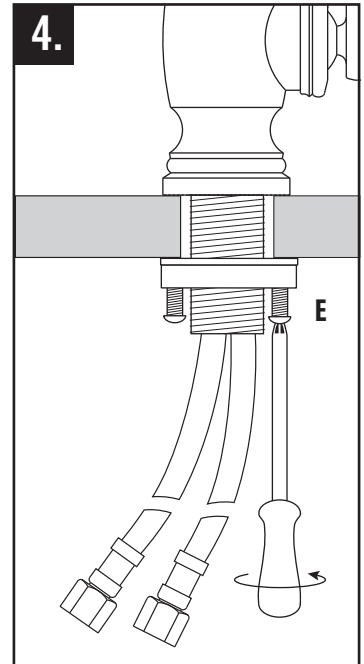
Fit flexible hoses (D) through hole on counter or sink. *(No plumbers putty is required. O-ring seals base).*

3.



Slide washer and thread the clamp nut onto threaded shroud. Tighten nut snug to underside of sink or counter.

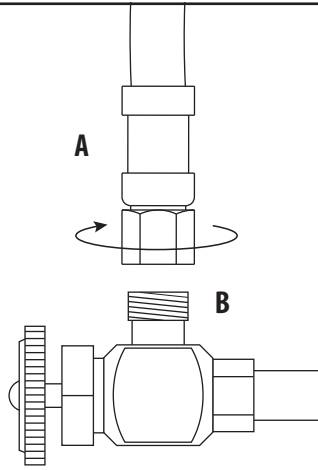
4.



Turn faucet to the desired handle position. Securely tighten clamp screws (E).

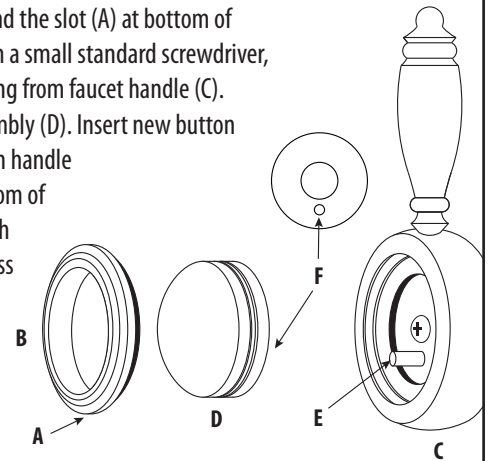
CONNECTING SUPPLY HOSES

Before connecting supply hoses, flush supply stops to clear any debris. Place a bucket underneath stops and run water for 5 to 10 seconds. Turn water off. Carefully position hot and cold supplies so they will not interfere with other hoses. Connect supply hoses (A) to supply stops (B). **DO NOT** use teflon tape or plumbers putty. Turn water back on and check for leaks.



OPTIONAL DECORATIVE BUTTONS

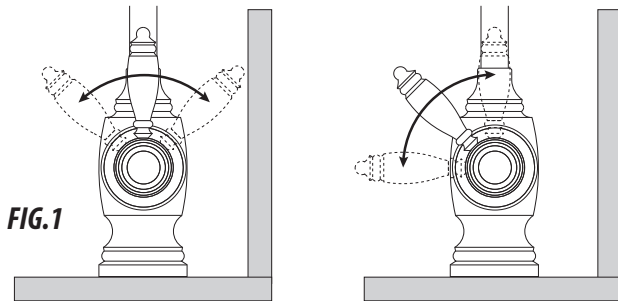
To change button, find the slot (A) at bottom of retainer ring (B). With a small standard screwdriver, gently pry retainer ring from faucet handle (C). Remove button assembly (D). Insert new button by lining up pin (E) on handle with hole (F) on bottom of button assembly. With slot facing down, press the button retainer ring firmly back into place.



HOW TO ADJUST HANDLE POSITION AND HANDLE TENSION

On some kitchen countertops, the handle may hit the backsplash when the faucet handle is positioned to the left or right (Fig. 1). Waterstone gives you the option of adjusting the handle 45 degrees for traditional or 22 degrees for contemporary models to avoid hitting backsplash. The contemporary models **DO NOT** need handle tension adjustment.

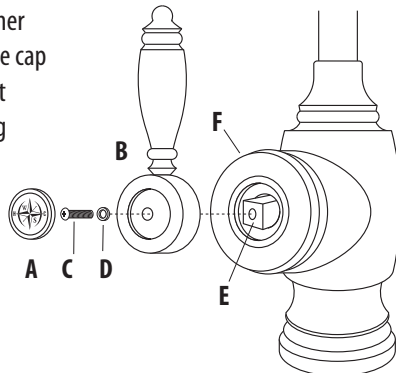
TRADITIONAL MODEL 5100



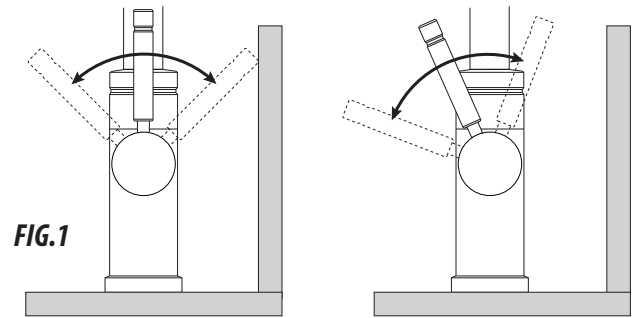
**ORIGINAL FACTORY POSITION
MAY HIT BACKSPASH**

**NEW ADJUSTED POSITION
CLEARS BACKSPASH**

To remove handle, place a small standard screwdriver in slot at bottom of metal ring that surrounds handle button (A). Gently pry button from handle (B). Unscrew and remove holding screw (C) and washer (D). Hold handle in a vertical position. Wiggle and pull straight off faucet. Rotate handle away from backsplash 45 degrees then slide handle back onto valve stem (E). Insert holding screw with washer and tighten. Snap handle cap back into place. To adjust handle tension, turn ring (F) clockwise to increase or counterclockwise to decrease handle tension.



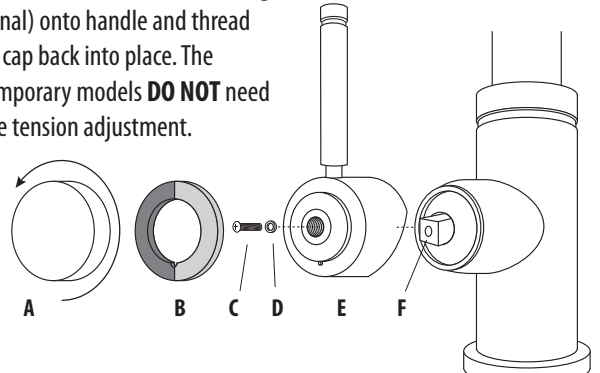
CONTEMPORARY MODELS - 5125, 5130



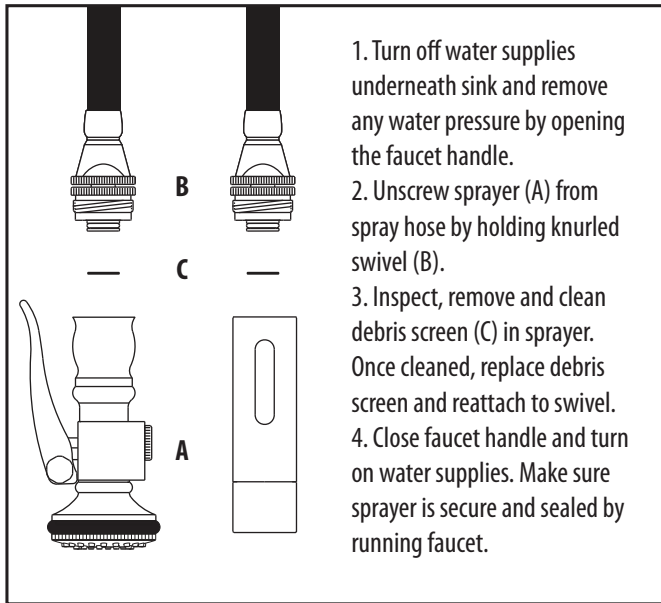
**ORIGINAL FACTORY POSITION
MAY HIT BACKSPASH**

**NEW ADJUSTED POSITION
CLEARS BACKSPASH**

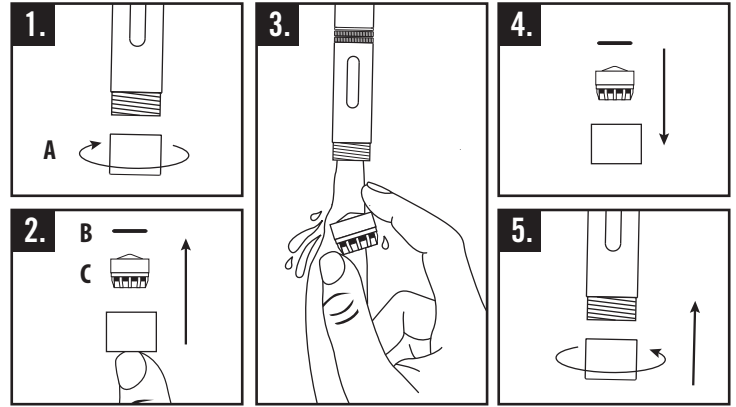
To remove handle, unscrew and remove metal cap (A) and hot/cold indicator ring (B). Unscrew and remove holding screw (C) and washer (D). Hold handle (E) in a vertical position. Wiggle and pull straight off faucet. Rotate handle 22 degrees away from backsplash then slide handle back onto valve stem (F). Insert holding screw with washer and tighten. Slide hot/cold indicator ring (optional) onto handle and thread metal cap back into place. The contemporary models **DO NOT** need handle tension adjustment.



CLEANING DEBRIS SCREEN

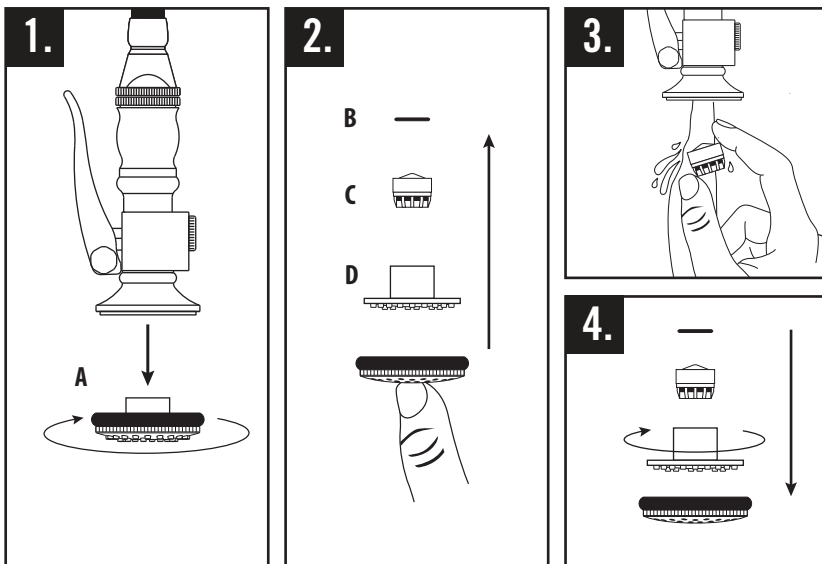


CLEANING AERATOR - CONTEMPORARY



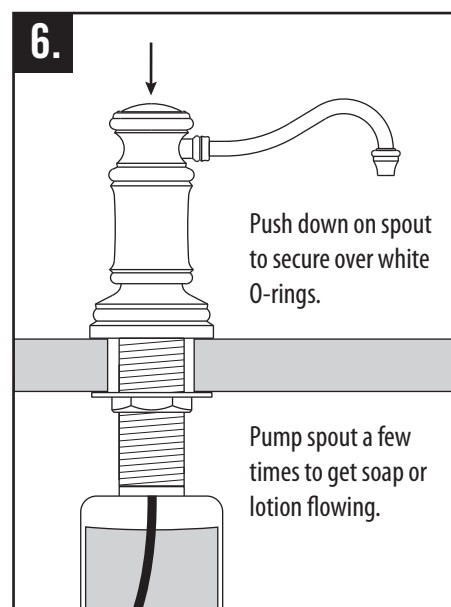
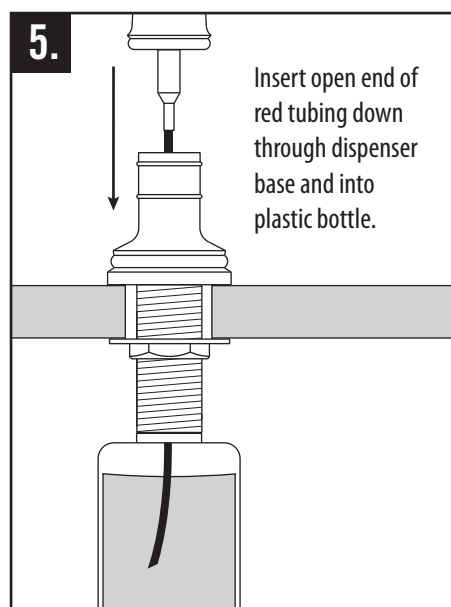
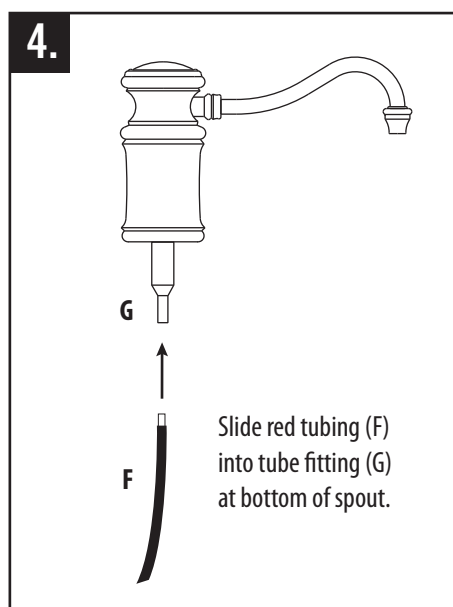
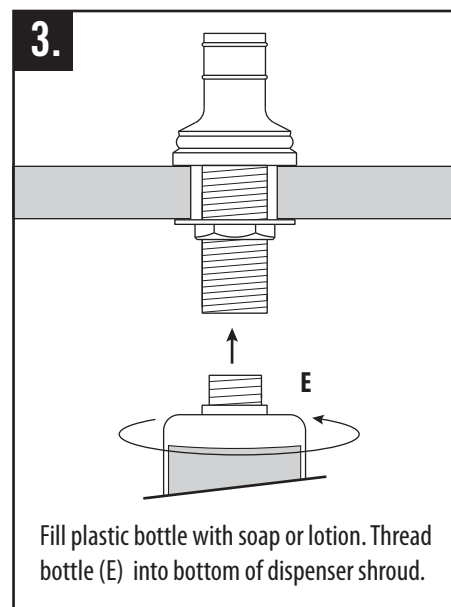
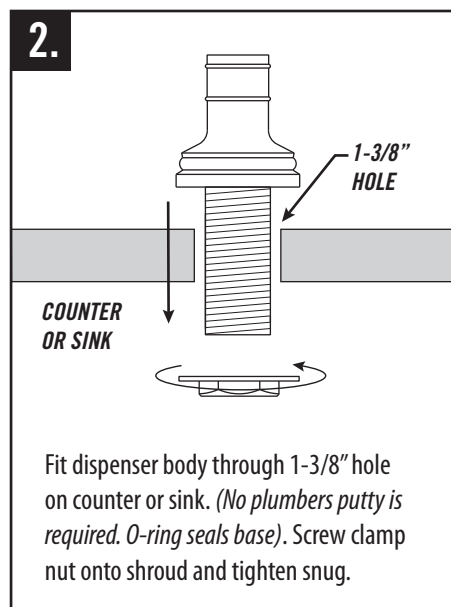
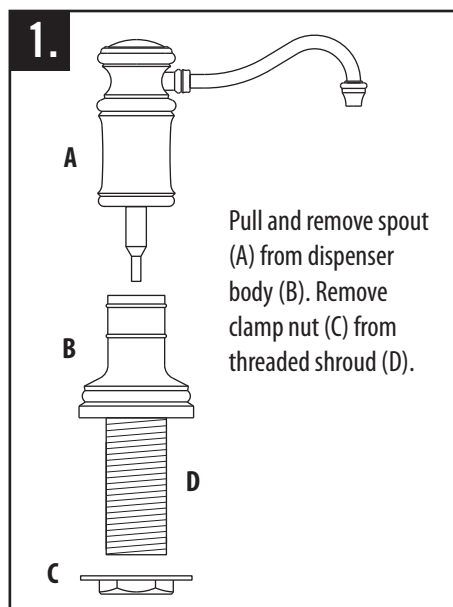
1. Gently unscrew and remove spout tip (A) by hand.
2. Remove O-ring (B). To remove aerator (C), push with finger from bottom.
3. Thoroughly rinse aerator with water until all debris is removed.
4. Place aerator, then O-ring back into spout tip.
5. Gently screw spout tip, by hand, snugly back onto spout.

CLEANING AERATOR - TRADITIONAL

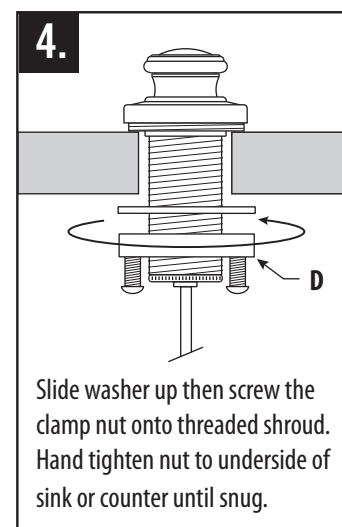
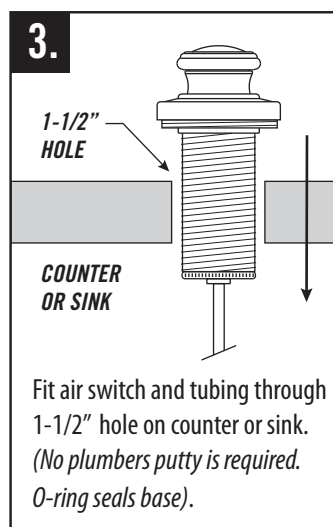
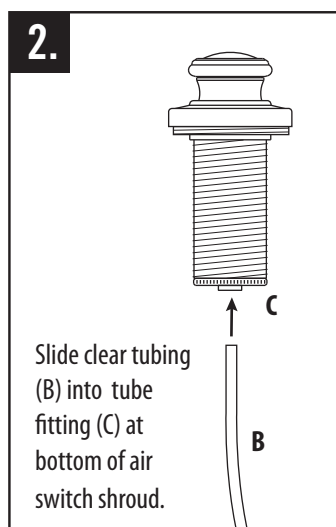
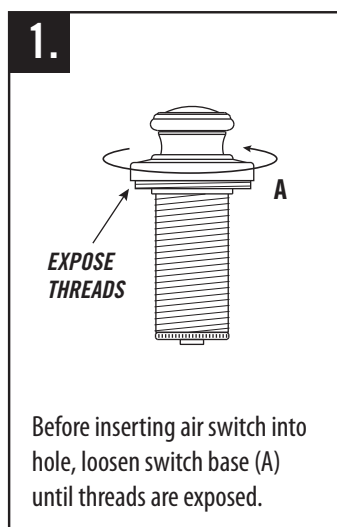


1. Gently unscrew and remove spray face (A) by hand.
2. To remove O-ring (B), aerator (C) and spray face insert (D), push with finger from bottom.
3. Thoroughly rinse aerator with water until all debris is removed.
4. Place spray face insert back into spray face and spin until it clicks into place. Next, place aerator and O-ring into spray face. Gently screw spray face, by hand, snugly back onto sprayer.

INSTALL SOAP/LOTION DISPENSER (OPTIONAL)



INSTALL AIR SWITCH (OPTIONAL)



5.

Tighten clamp screws (E) securely with screwdriver.

6.

Hand tighten switch base back down to cover threads.

7.

Slide other end of tubing (F) into tube fitting at bottom of control box (G).

8.

GARBAGE DISPOSAL

Plug control box into undersink electrical outlet. Plug garbage disposal into either dual outlet.

INSTALL SINGLE PORT AIR GAP (OPTIONAL)

1.

Twist and pull air gap cover (A) off of upper cap nut (B). Unscrew and remove cap nut from piping (C).

2.

Unscrew and remove top clamp nut (D) from both threadings on piping. Slide gasket (E) off piping and remove.

3.

From underneath countertop, fit air gap piping upward through 1-1/2" hole.

4.

Slide gasket down and screw top clamp nut back onto piping. Adjust the two clamp nuts to fit countertop thickness. (No plumbers putty is required).

5.

Screw cap nut back onto top of piping until snug. Slide air gap over cap nut and top clamp nut. Be sure to have overflow holes (F) facing sink.

6.

Slide small intake hose (G) over small connector. Slide larger drainage hose (H) over large connector. Tighten hose clamps. Turn on water supply and check for leaks.

INSTALL DUAL PORT AIR GAP (OPTIONAL)

1.

Pull air gap (A) off of upper cap nut (B). Unscrew and remove cap nut from piping (C).

2.

Unscrew and remove top clamp nut (D) from both threadings on piping. Slide gasket (E) off piping and remove.

3.

From underneath counter top, fit air gap piping upward through 1-1/2" hole.

4.

Slide gasket down and screw top clamp nut back onto piping. Adjust the two clamp nuts to fit countertop thickness. *(No plumbers putty is required).*

5.

Screw cap nut back onto top of piping until snug. Slide air gap over cap nut and top clamp nut. Be sure to have overflow holes (F) facing sink.

6.

Slide small intake hose (G) over small connector. Slide larger drainage hose (H) over large connector. Tighten hose clamps.

Third intake hole (J) has 3 options. Use hose connector (K) for additional dishwasher, use filtration hose connector (L) for reverse osmosis unit, or use solid cap (M) to plug third hole.

