

UNIVERSAL

UNS145

Universal 3 1/2" Showerhead with Adjustable Spray with 8" Wall Mounted 45 Degree Shower Arm and Low Profile Classic Flange



SHOWN IN UNIVERSAL 3 1/2" SHOWERHEAD WITH ADJUSTABLE SPRAY WITH 8" WALL MOUNTED 45 DEGREE SHOWER ARM AND LOW PROFILE CLASSIC FLANGE | UNS145

TECHNICAL DETAILS

Adjustable Versus Fixed Spray: Adjustable Spray
 Fittings Hole Diameter: 1 1/4"
 Flow Restriction Options: 1.5, 1.75, 2.0
 Inlet Connection Size: 1/2"
 Inlet Connection Type: Male NPT
 Pivot: Y
 Primary Material: Brass
 Restricted Maximum Flow Rate: 1.75 gpm
 Water Pressure Maximum: 85.0 psi
 Water Pressure Minimum: 20.0 psi
 Water Pressure Recommended: 45.0 psi

INSPIRATION

Our Universal collection features timeless designs complementing any of our Waterworks. With a wide range of product, from fittings to accessories, Universal adds exquisite proportion and balance to any environment.

CODES & STANDARDS

UNS145X, ASME A112.18.1/CSA B125.1, CEC(1.5GPM & 1.75GPM Only), WaterSense(1.5GPM, 1.75GPM & 2.0GPM Only), DOE

PRODUCT FEATURES

- Made of Brass
- Features a swivel 3 1/2" showerhead with two adjustable spray patterns
- Includes a 8" wall mounted 45 degree shower arm
- Stocked in Brass, Chrome and Nickel
- Showerhead available in 1.75gpm (6.6L/min) flow rate

CERTIFICATIONS



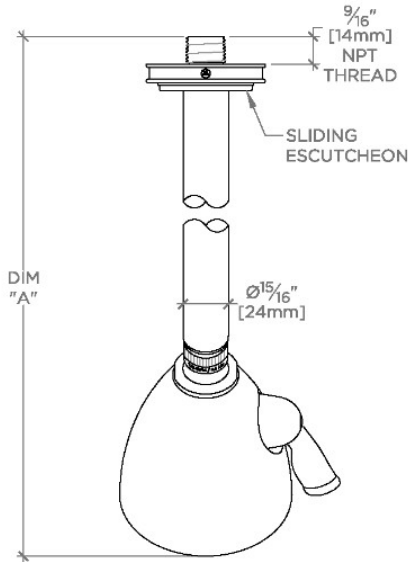
PRODUCT (NOTES)

WATERWORKS

UNIVERSAL

UNS145

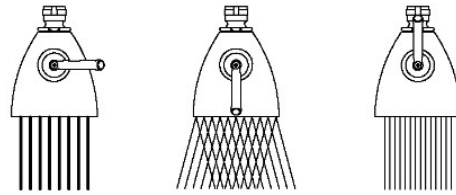
Universal 3 1/2" Showerhead with Adjustable Spray with 8" Wall Mounted 45 Degree Shower Arm and Low Profile Classic Flange



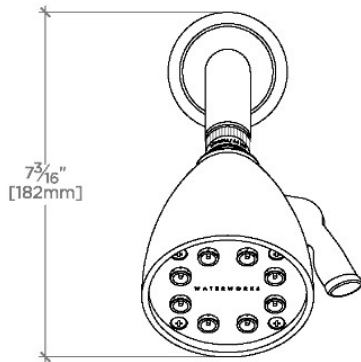
TOP VIEW

SCALE: 3"=1'-0"

STYLE NO.	DIM "A"	DIM "B"
UNS144	10 ⁷ / ₈ " [276mm]	6 ¹ / ₄ " [158mm]
UNS145	12 ⁷ / ₈ " [326mm]	8 ³ / ₄ " [209mm]

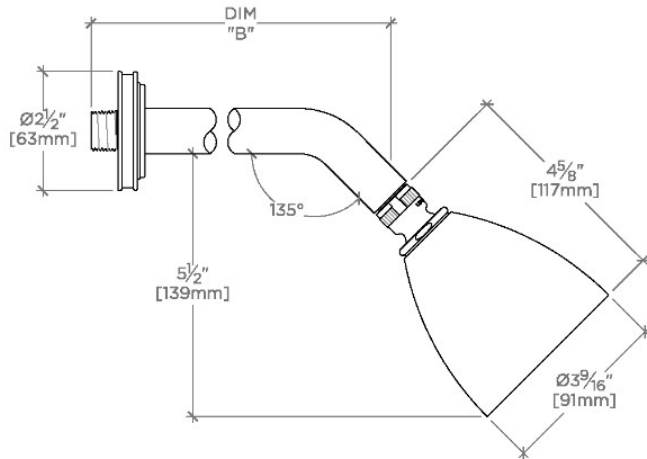


SPRAY PATTERNS



FRONT VIEW

SCALE: 3"=1'-0"



SIDE VIEW

SCALE: 3"=1'-0"