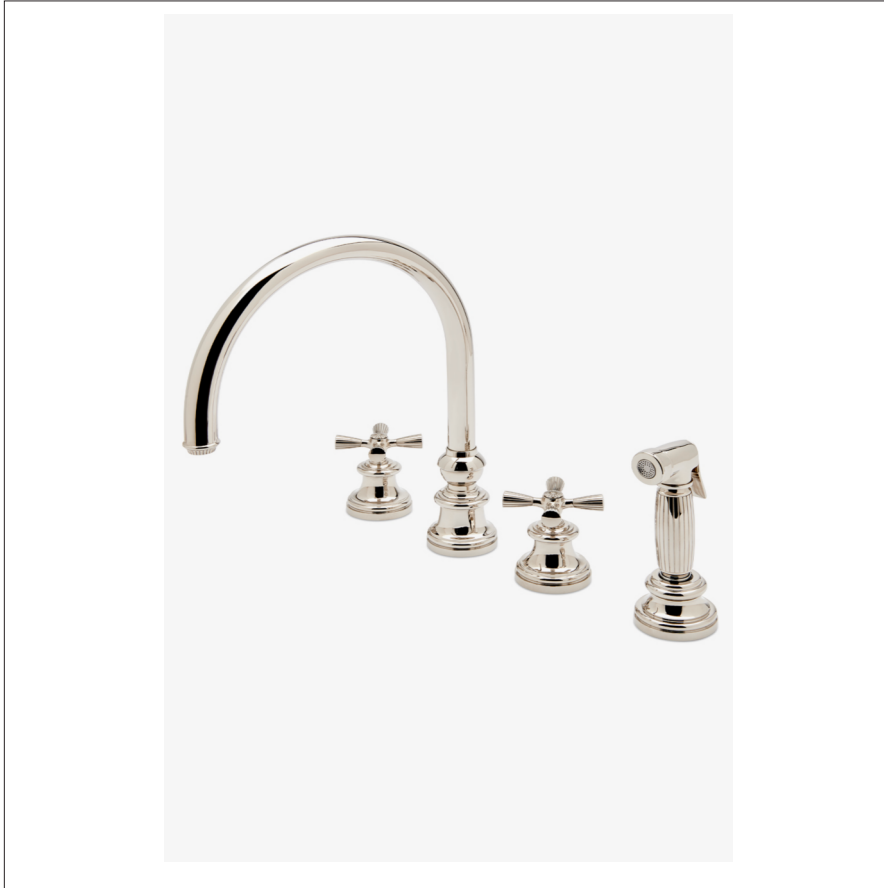


## FORO

Foro Three Hole Gooseneck Kitchen Faucet, Metal Cross Handles and Spray

FRKM20



### TECHNICAL DETAILS

Deck Thickness Maximum: 1 3/4"  
Deck Thickness Minimum: 1/4"  
Fittings Hole Diameter: 1 3/8"  
Flow Restriction Options: 1.75  
Handle Turn Angle: Quarter Turn  
Inlet Connection Size: 1/2"  
Inlet Connection Type: Male with Supply Nut  
Restricted Maximum Flow Rate: 1.75 gpm  
Valve Material: Ceramic  
Water Pressure Maximum: 85.0 psi  
Water Pressure Minimum: 20.0 psi  
Water Pressure Recommended: 45.0 psi

### INSPIRATION

A mix of historical references, including finely etched vintage silver, come together in this twist on classical design - a wonderfully elegant formal statement.

### PRODUCT FEATURES

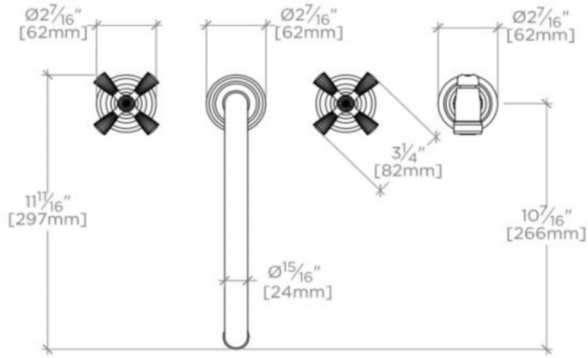
Cross handles with side spray. Swivel Spout  
Easton Style sprayer, with spray calibration. Diverting Tee, to divert between sprayer and spout.  
Features signature engraving detail  
Quarter turn ceramic cartridge  
Available in 2.2gpm (8.3 L/min)

# WATERWORKS

## FORO

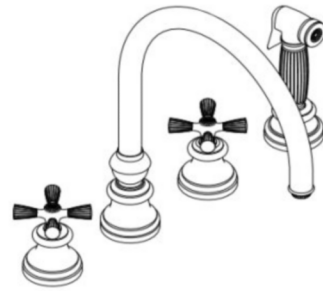
## FRKM20

Foro Three Hole Gooseneck Kitchen Faucet, Metal Cross Handles and Spray



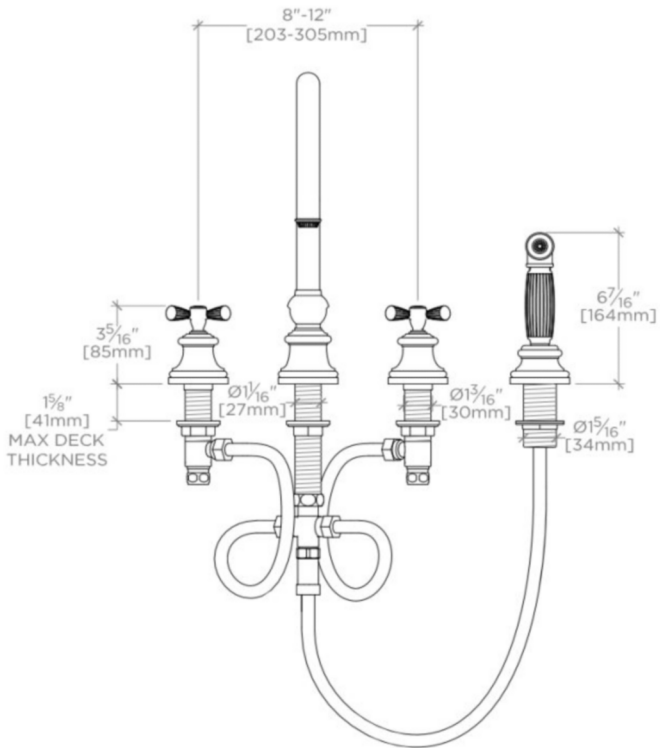
TOP VIEW

SCALE:  $1\frac{1}{2}"=1'-0"$



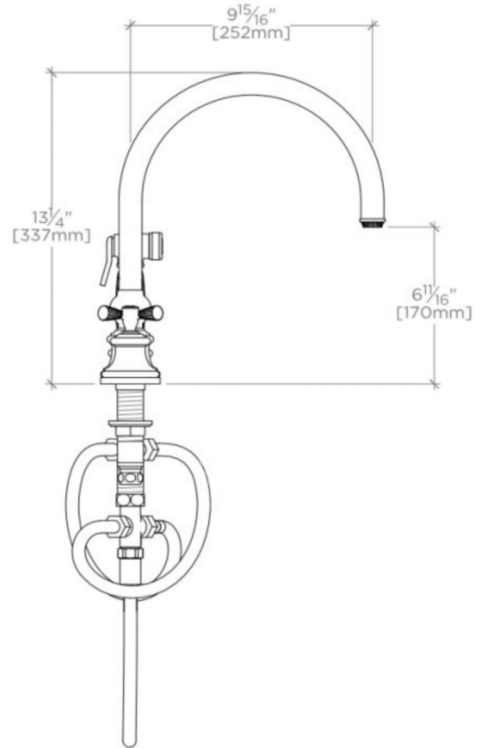
ISO VIEW

SCALE:  $1\frac{1}{2}"=1'-0"$



FRONT VIEW

SCALE:  $1\frac{1}{2}"=1'-0"$



SIDE VIEW

SCALE:  $1\frac{1}{2}"=1'-0"$