

## HENRY

HTF112

Henry Concealed Tub Filler with Handshower and Two Tone Lever Handles



SHOWN IN HENRY CONCEALED TUB FILLER WITH HANDSHOWER AND TWO TONE LEVER HANDLES | HTF112

### TECHNICAL DETAILS

Deck Thickness Maximum: 2 1/8"  
Deck Thickness Minimum: 1/2"  
Fittings Hole Diameter: 1 3/8"  
Handle Spread Minimum: 8"  
Handle Turn Angle: Quarter Turn  
Handshower Spray Hose Length: 60"  
Inlet Connection Size: 3/4"  
Inlet Connection Type: Male NPT  
Integrated Diverter: Y  
Number Of Holes: Four Hole  
Primary Material: Brass  
Restricted Maximum Flow Rate: 1.75 gpm  
Valve Material: Brass and Ceramic  
Water Pressure Maximum: 85.0 psi  
Water Pressure Minimum: 20.0 psi  
Water Pressure Recommended: 45.0 psi

### INSPIRATION

Influenced by the connection of industry and art Henry easily transitions between modern, traditional, utilitarian and classic settings.

### CODES & STANDARDS

### PRODUCT FEATURES

Features Two Tone Lever Handles

Solid Brass Construction

Diverter Knob Allows Bather to Move Water From Spout to Handshower

Stocked in Nickel/Dark Nickel and Brass/Dark Nickel

Unrestricted Flow for Tub Spout. Handshower Available in 1.75gpm (4.5L/min) Flow Rate

### CERTIFICATIONS

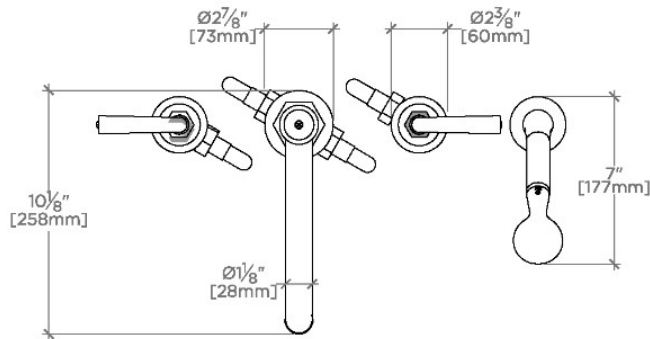
### PRODUCT (NOTES)

# WATERWORKS

## HENRY

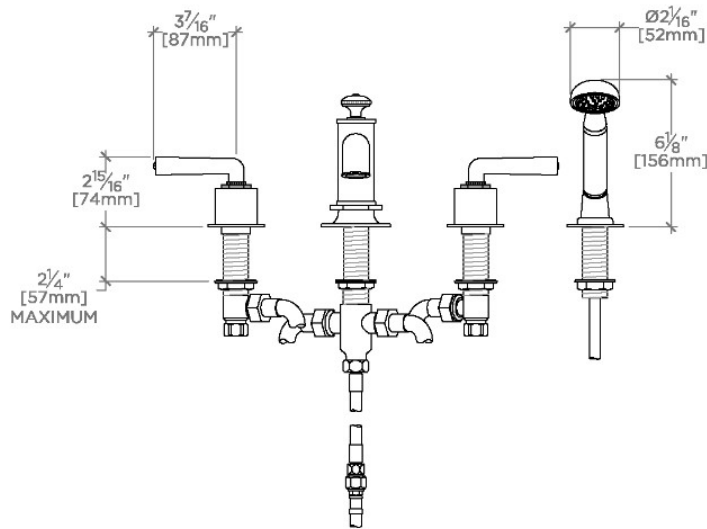
HTF112

Henry Concealed Tub Filler with Handshower and Two Tone Lever Handles



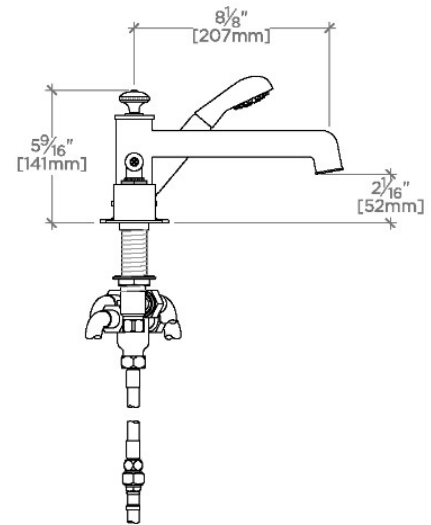
TOP VIEW

SCALE: 1 1/2"=1'-0"



FRONT VIEW

SCALE: 1 1/2"=1'-0"



SIDE VIEW

SCALE: 1 1/2"=1'-0"