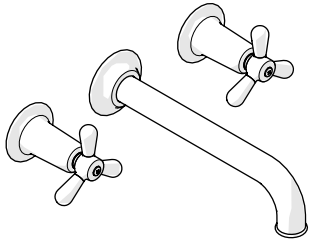


# INSTALLATION GUIDELINES

## WALL MOUNTED LAVATORY FAUCET

### RIVERUN WALL MOUNTED LAVATORY FAUCET WITH TRI-SPOKE OR LEVER HANDLES



STYLES		
RRLS60 [SHOWN]	RRLS61	RRLS70
RRLS71		

#### IMPORTANT:

- To ensure this product is installed properly, you must read and follow these guidelines.
- The owner/user of this product must keep this information for future reference.
- This product must be installed by a professional licensed contractor and must be on-site prior to rough-in. This allows the installer to visualize the installation and verify the 8" on-center spread.
- Be sure your installation conforms to federal, state, and local codes. In the State of Massachusetts, all installations must comply with the rules and regulations set forth within 248 CMR.
- **FAUCET AND VALVE ARE SOLD SEPARATELY.**
- Inspect this product to ensure you have all the parts required for proper installation.
- This product is sold partially assembled but shown fully disassembled for illustrative and service purposes only.
- Check COUNTERTOP and SINK measurements to ensure the FAUCET projects far enough into the SINK.
- Use only a strap wrench or protected/smooth-jaw wrench on ANY finished surface.
- The use of certain plumber's putty may stain stone or tile surfaces.
- If further assistance is required, please contact Product Support at 1-800-927-2120 Monday through Friday, 8am - 6pm EST.
- Refer to the separate Service Parts Documents for available replacement parts

#### TECHNICAL DETAILS:

DETAIL	SPECIFICATION
DRAIN DEPTH	2" [51mm] <b>MAX</b> 3/8" [10mm] <b>MIN</b>
DRAIN HOLE DIAMETER	1-1/2" [41mm]
DRAIN STYLE	PUSH-TOUCH
HANDLE TURN ANGLE	QUARTER TURN
INLET CONNECTION - SPOUT	1/2" FEMALE NPT <sup>†</sup>
SPOUT REACH	8-1/4" [210mm]
WATER PRESSURE	85psi [6.0 bar] <b>MAX</b> 20psi [1.5 bar] <b>MIN</b>
WATER PRESSURE RECOMMENDED	45psi [3.0 bar]

<sup>†</sup> For **INTERNATIONAL USE ONLY**,

- A 1/2" Male NPT x 1/2" Male BSPP ADAPTER for the SPOUT is provided. The BSPP end of the ADAPTER may be field cut.

#### REQUIRED PLUMBING DETAILS:

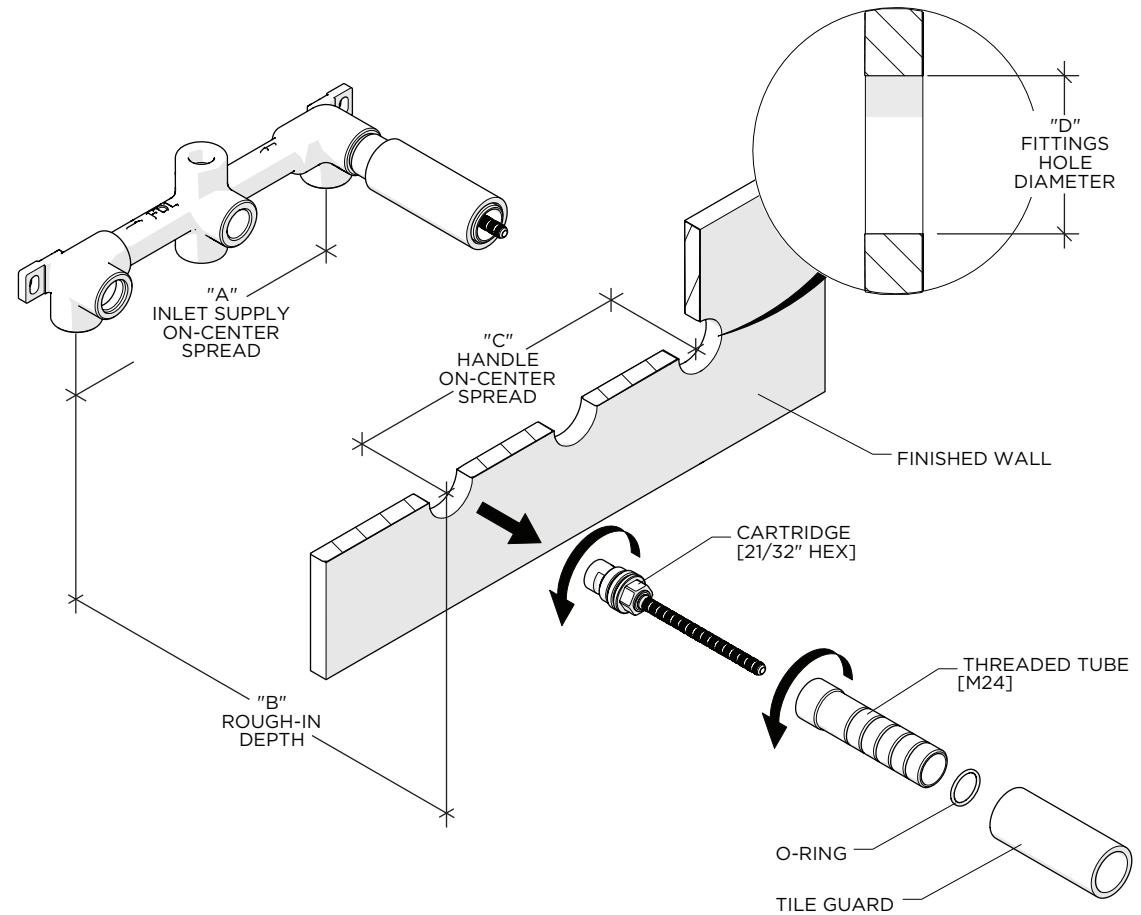
- ViaWorks Lavatory Wall Mounted Rough Valve (Used with Lever Handle Faucets) or,
  - **Style No. GULV25, GU25LV (International Use Only)**
- ViaWorks Lavatory Wall Mounted Rough Valve (Used with Cross Handle Faucets),
  - **Style No. GULV27, GU27LV (International Use Only)**

# INSTALLATION GUIDELINES

## WALL MOUNTED LAVATORY FAUCET

### ROUGH-IN AND VALVE PREPARATION:

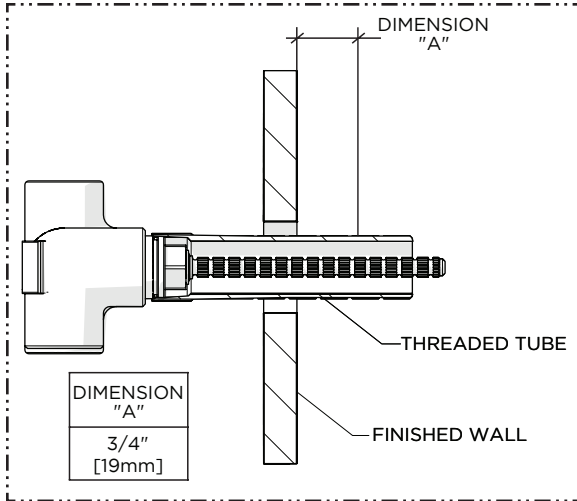
- Refer to the Installation Guidelines provided with the VALVE for complete rough-in installation details and related information.
- Remove and discard the TILE GUARDS only when the finished wall surface (TILE or SLAB) is completed and the FAUCET is ready to be installed.
- **CAUTION:**
  - Mark and remove the THREADED TUBES **before** cutting. Do NOT cut the end with the internal threads.
  - Mark and remove the CARTRIDGES using a 21/32" [17mm] shower valve socket wrench (not provided) **before** cutting.
- **ROUGH-IN DEPTH**
  - The rough-in depth is measured from the centerline of the inlets to the surface of the finished wall and must be between 4-1/4" [108mm] **MAXIMUM** and 2-3/4" [70 mm] **MINIMUM**.
- **ROUGH-IN HEIGHT**
  - The rough-in height must allow for a **MINIMUM** of 1-1/2" [38mm] air gap between the end of the SPOUT and the flood level rim of the SINK or FIXTURE the SPOUT is being installed over.
  - The rough-in height must provide the HANDLES enough clearance to fully open. This will vary depending on the TRIM being used and the VALVE orientation.



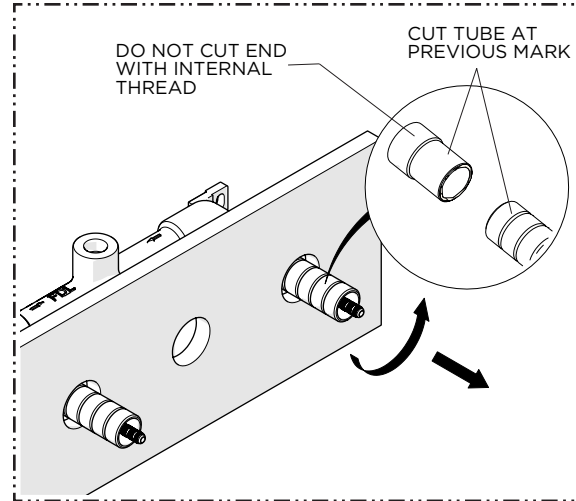
DIMENSION	VALUE
A	8" [203mm] <b>NOT ADJUSTABLE</b>
B	4-1/4" [108mm] <b>MAX</b> 2-3/4" [70 mm] <b>MIN</b>
C	8" [203mm] <b>NOT ADJUSTABLE</b>
D	Ø1-3/8" [35mm]

# INSTALLATION GUIDELINES

## WALL MOUNTED LAVATORY FAUCET

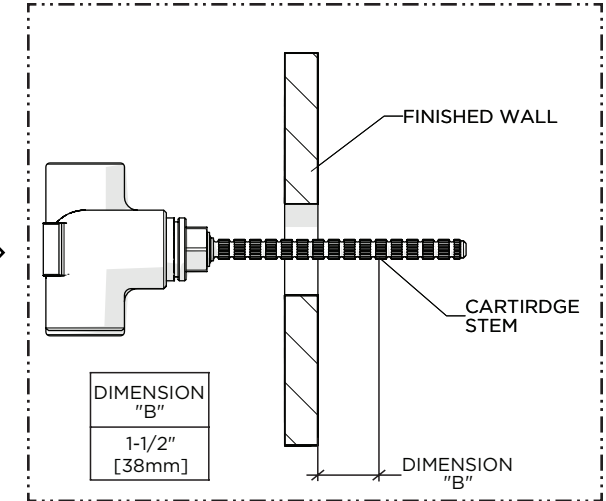


1. Remove the TILE GUARD when ready to install the TRIM then mark the THREADED TUBE behind the finished wall at the length listed.

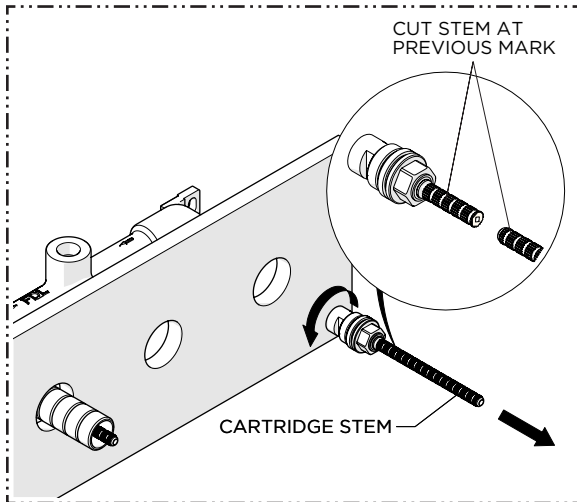


2. Remove the THREADED TUBE then cut the TUBE at the previous mark.

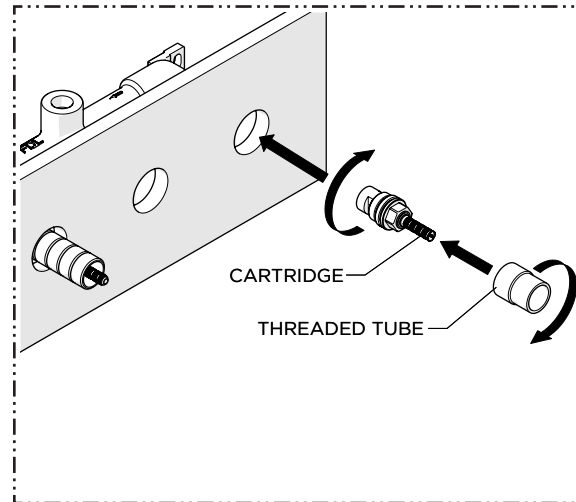
**CAUTION:** Do NOT cut the end with the internal threads.



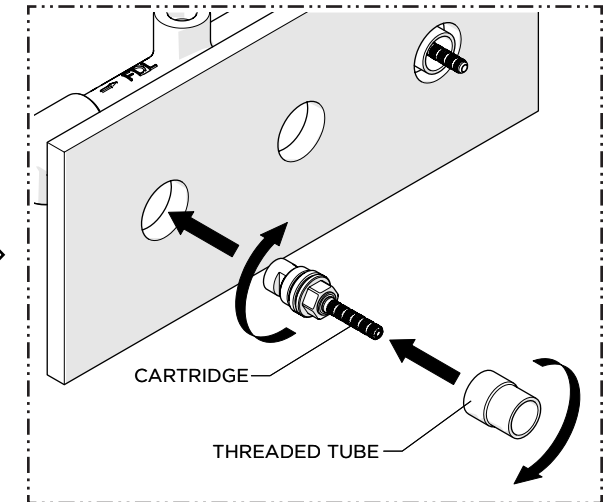
3. Mark the CARTRIDGE STEM in front of the finished wall at the length listed.



4. Remove the CARTRIDGE using a 21/32" [17mm] shower valve socket wrench (not provided) then cut the STEM at the previous mark.



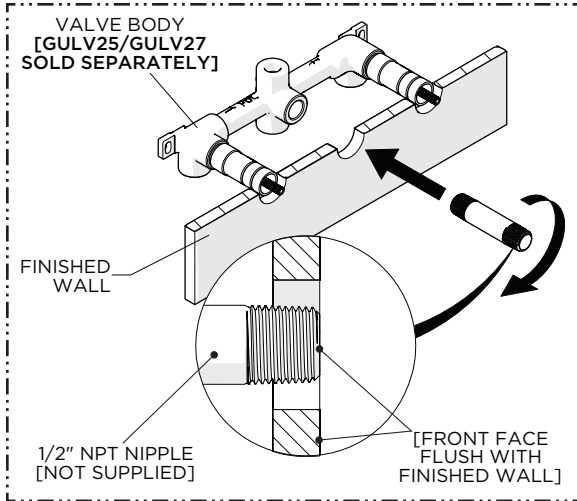
5. Thread and securely tighten the CARTRIDGE back into the VALVE then thread the THREADED TUBE back onto the CARTRIDGE.



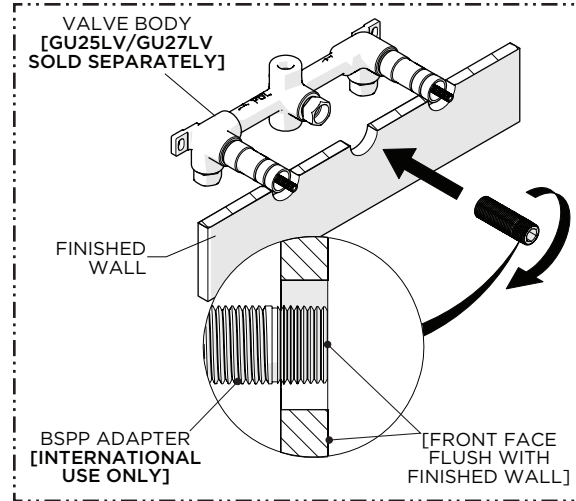
6. Repeat Steps 1 - 5 to cut the second (2ND) THREADED TUBE and CARTRIDGE STEM.

# INSTALLATION GUIDELINES

## WALL MOUNTED LAVATORY FAUCET

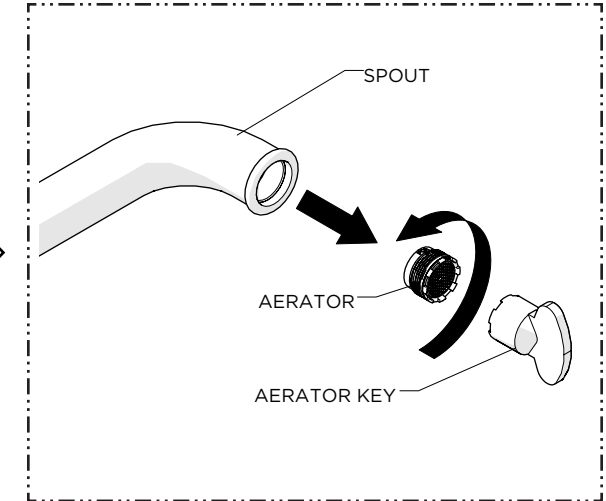


7. Thread a 1/2" NPT x 1/2" NPT NIPPLE (not supplied) of appropriate length into the VALVE and ensure the front face of the NIPPLE is **flush** with the finished wall.

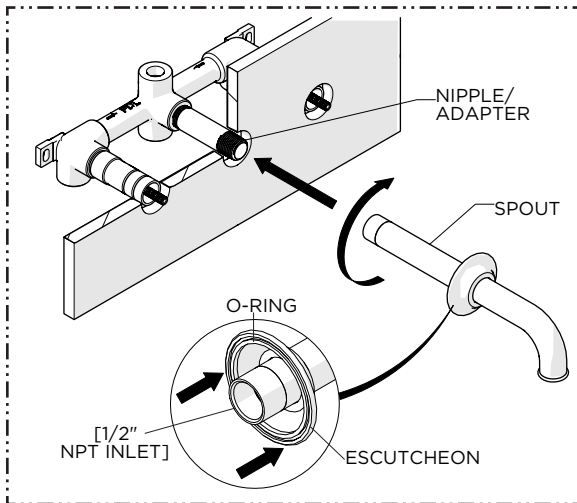


**FOR INTERNATIONAL INSTALLATIONS ONLY**  
8. Thread and securely tighten the BSPP ADAPTER into the VALVE and ensure the front face of the ADAPTER is **flush** with the finished wall.

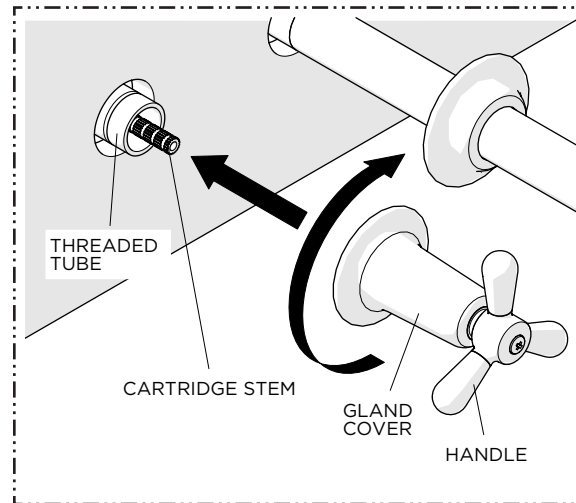
**NOTE:** The BSPP end of the ADAPTER may be field cut.



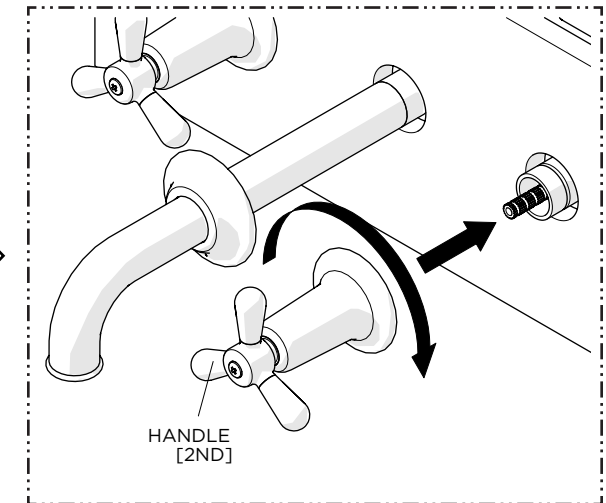
9. Using the TOOL provided, remove the AERATOR from the SPOUT.



10. Carefully slide the ESCUTCHEON and O-RING provided up the SPOUT then thread and securely tighten the SPOUT onto the NPT NIPPLE or BSPP ADAPTER.



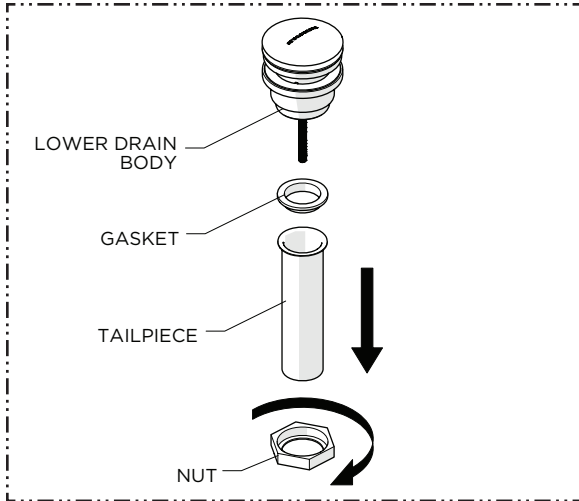
11. Place the HANDLE over the CARTRIDGE STEM in the desired orientation then thread and securely tighten the GLAND COVER into the THREADED TUBE until snug.



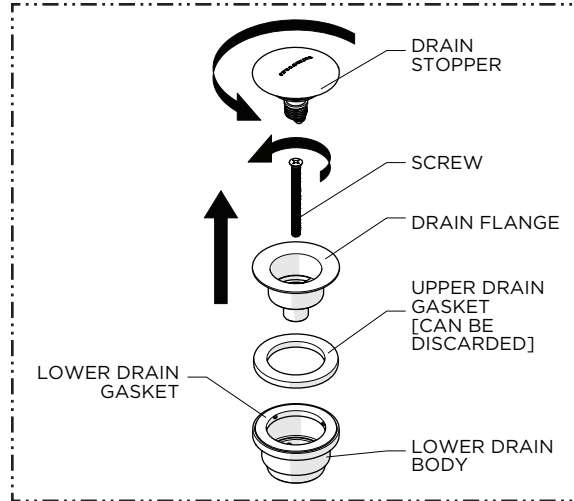
12. Repeat Step 11 to install the second (2ND) HANDLE.

# INSTALLATION GUIDELINES

## WALL MOUNTED LAVATORY FAUCET

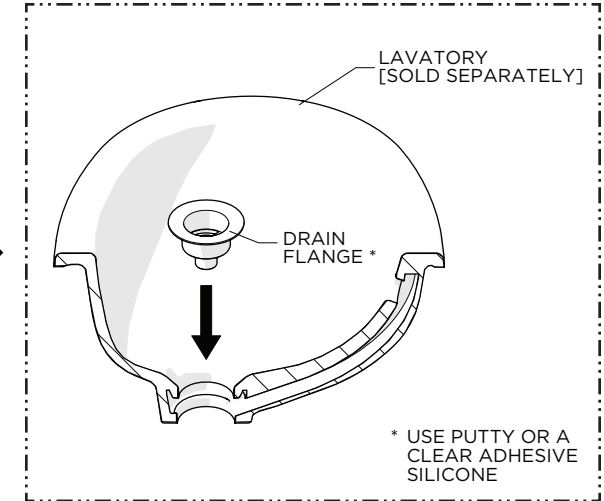


13. Unthread and remove the NUT, TAILPIECE, and GASKET from the LOWER DRAIN BODY.



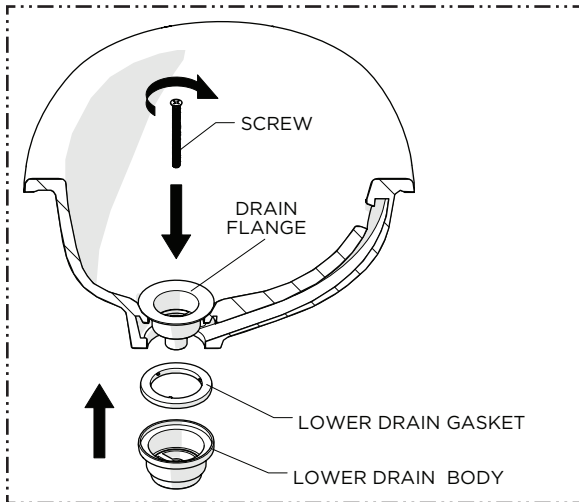
14. Remove the DRAIN STOPPER from the DRAIN FLANGE then unthread the SCREW from the LOWER DRAIN BODY.

**CAUTION:** Do **NOT** remove or discard the LOWER DRAIN GASKET.

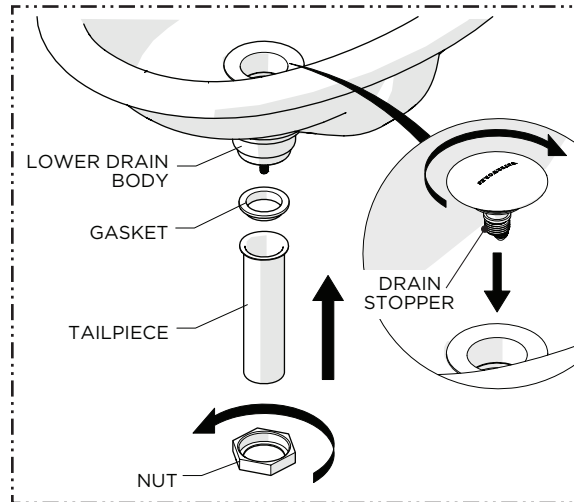


15. Set the DRAIN FLANGE into the lavatory (sold separately) using putty or a clear silicone.

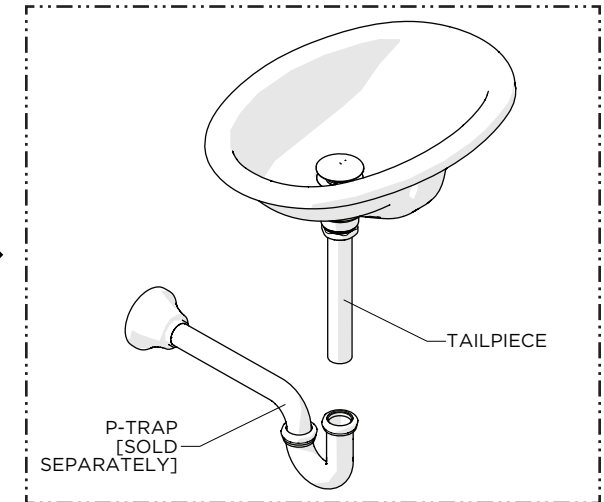
\* USE PUTTY OR A CLEAR ADHESIVE SILICONE



16. Insert the SCREW provided into the FLANGE then thread and securely tighten the SCREW into the LOWER DRAIN BODY making sure the LOWER DRAIN GASKET makes a full seal on the underside of the LAVATORY.



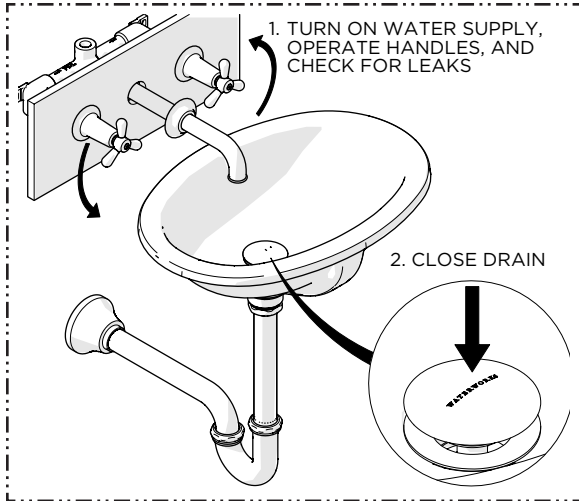
17. Re-install the DRAIN STOPPER and TAILPIECE using the GASKET and NUT provided.



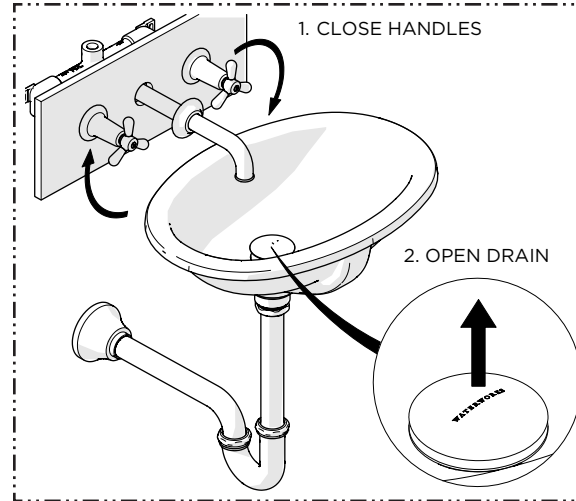
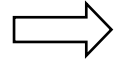
18. Make final P-TRAP (sold separately) connections.

# INSTALLATION GUIDELINES

## WALL MOUNTED LAVATORY FAUCET



19. Turn on the water supply, operate the HANDLES to flush out the supply lines, and inspect all connections for leaks then close the DRAIN to ensure it functions properly.



20. Close the HANDLES and open the DRAIN making sure the water drains properly.

