

NOTE1: Hinge is symmetrical about the center line(s)

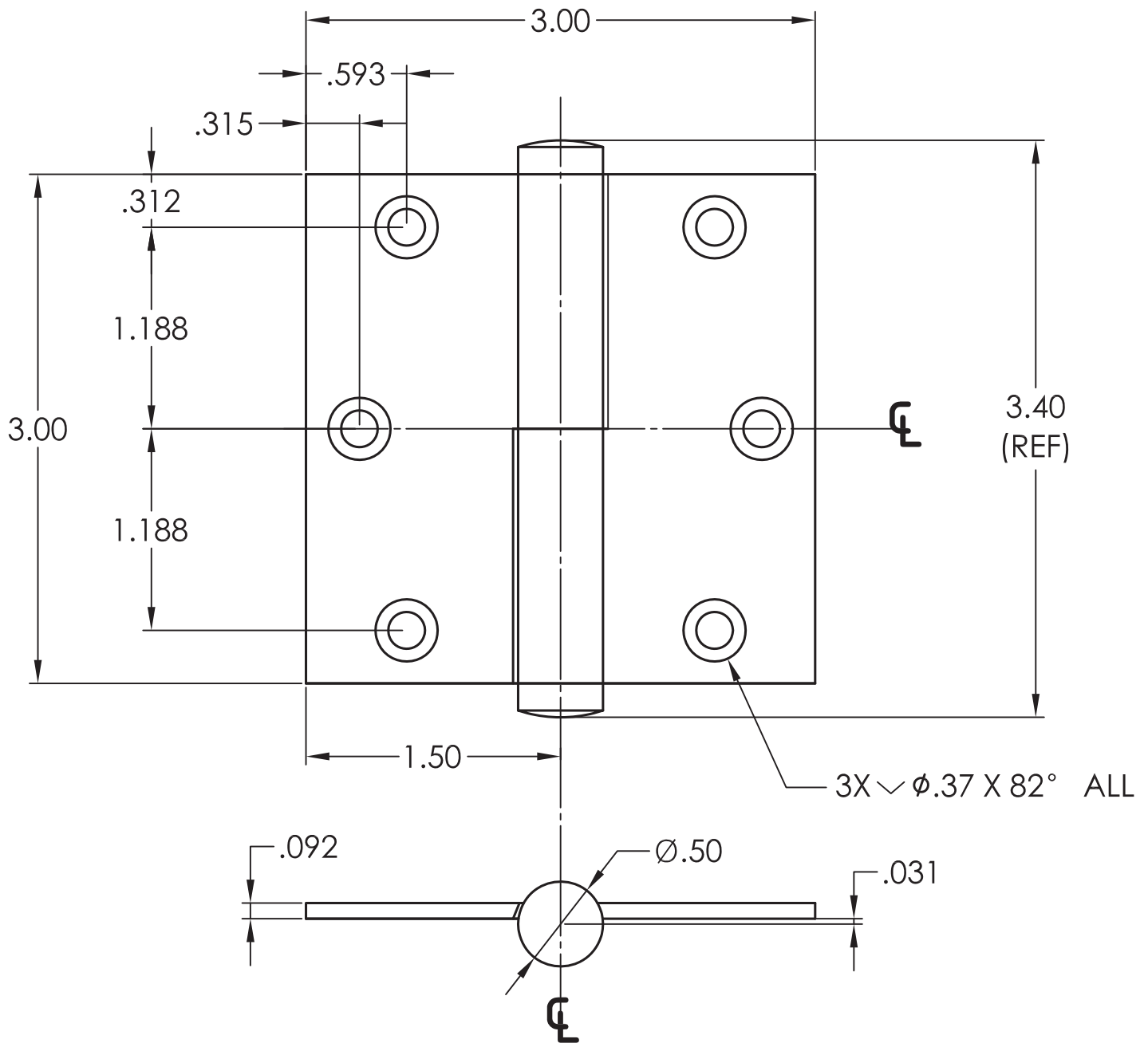
*NOTE2: REF dimension across finials, hinge shown with standard finials, additional finials available at additional cost.

THE INFORMATION CONTAINED IN THIS DRAWING IS THE SOLE PROPERTY OF ERIC MORRIS & COMPANY. ANY REPRODUCTION IN PART OR AS A WHOLE WITHOUT THE WRITTEN PERMISSION OF ERIC MORRIS & COMPANY IS STRICTLY PROHIBITED.

TITLE:
13-3025/2 Hinge Template
 DO NOT SCALE DRAWING
 SCALE:1:1 SHEET 1 OF 1



Phone: +1-856-997-0222
 Fax: +1-856-294-5116
 Email: info@ericmorrisandco.com
 Web: <http://www.ericmorrisandco.com>
 Address: ERIC MORRIS & COMPANY
 7249-A Browning Road
 Pennsauken, NJ 08109



NOTE1: Hinge is symmetrical about the center line(s)

*NOTE2: REF dimension across finials, hinge shown with standard finials, additional finials available at additional cost.

THE INFORMATION CONTAINED IN THIS DRAWING IS THE SOLE PROPERTY OF ERIC MORRIS & COMPANY. ANY REPRODUCTION IN PART OR AS A WHOLE WITHOUT THE WRITTEN PERMISSION OF ERIC MORRIS & COMPANY IS STRICTLY PROHIBITED.

TITLE:

13-3030/2 Hinge Template

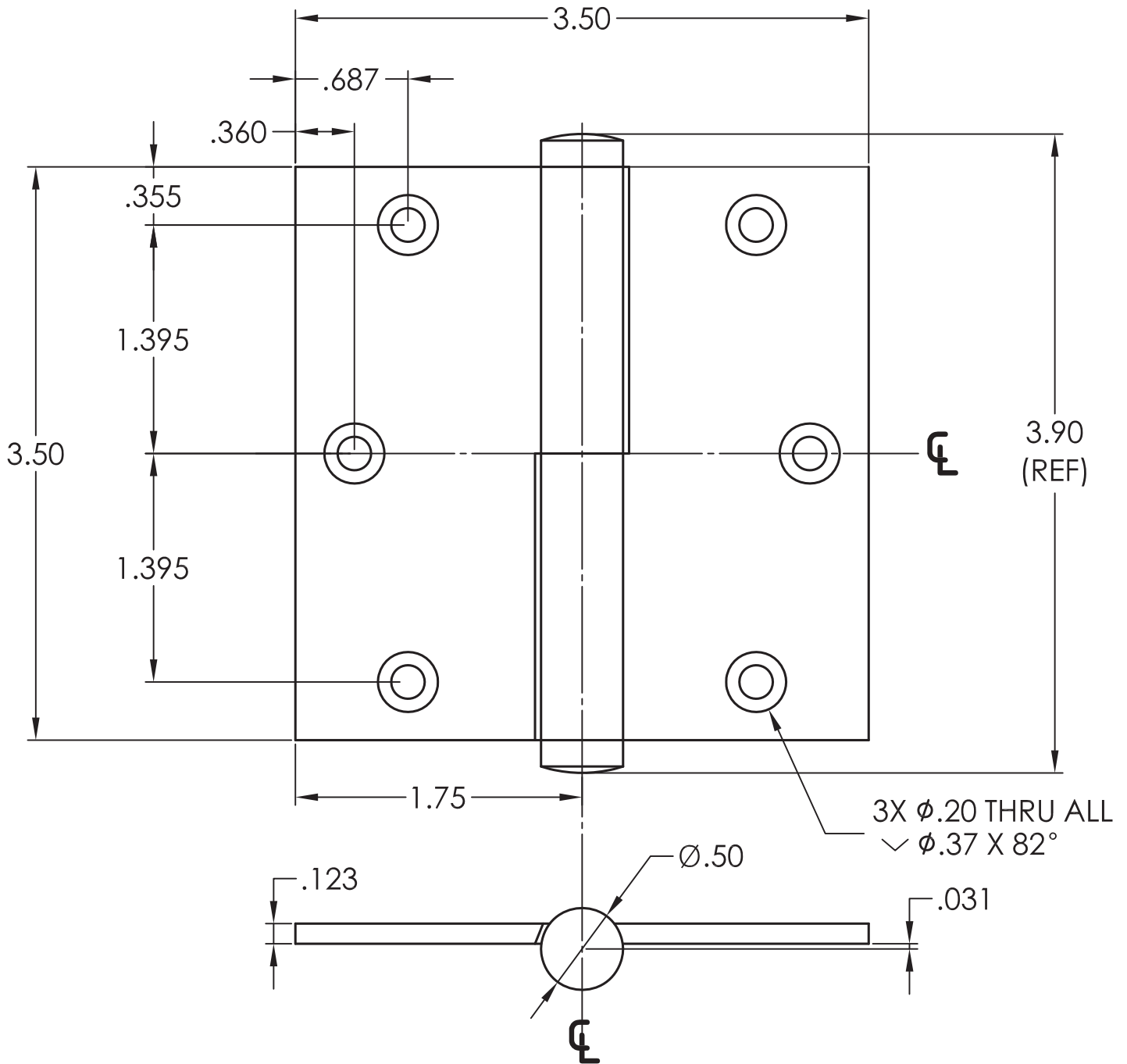
DO NOT SCALE DRAWING

SCALE:1:1

SHEET 1 OF 1



Phone: +1-856-997-0222
 Fax: +1-856-294-5116
 Email: info@ericmorrisandco.com
 Web: <http://www.ericmorrisandco.com>
 Address: ERIC MORRIS & COMPANY
 7249-A Browning Road
 Pennsauken, NJ 08109



NOTE1: Hinge is symmetrical about the center line(s)

*NOTE2: REF dimension across finials, hinge shown with standard finials, additional finials available at additional cost.

THE INFORMATION CONTAINED IN THIS DRAWING IS THE SOLE PROPERTY OF ERIC MORRIS & COMPANY. ANY REPRODUCTION IN PART OR AS A WHOLE WITHOUT THE WRITTEN PERMISSION OF ERIC MORRIS & COMPANY IS STRICTLY PROHIBITED.

TITLE:

13-3535/2 Hinge Template

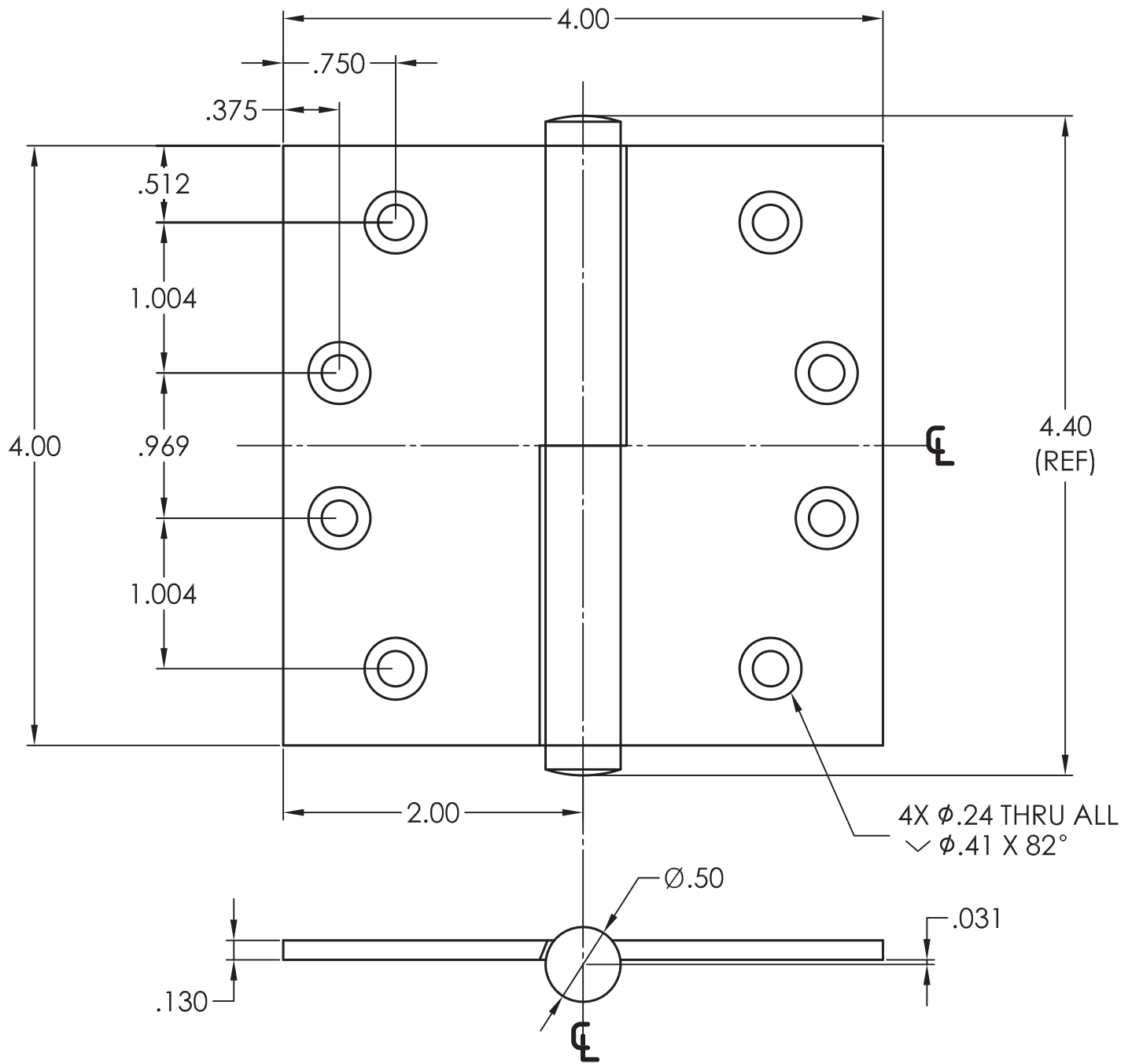
DO NOT SCALE DRAWING

SCALE:1:1

SHEET 1 OF 1



Phone: +1-856-997-0222
 Fax: +1-856-294-5116
 Email: info@ericmorrisandco.com
 Web: <http://www.ericmorrisandco.com>
 Address: ERIC MORRIS & COMPANY
 7249-A Browning Road
 Pennsauken, NJ 08109



NOTE1: Hinge is symmetrical about the center line(s)

*NOTE2: REF dimension across finials, hinge shown with standard finials, additional finials available at additional cost.

THE INFORMATION CONTAINED IN THIS DRAWING IS THE SOLE PROPERTY OF ERIC MORRIS & COMPANY. ANY REPRODUCTION IN PART OR AS A WHOLE WITHOUT THE WRITTEN PERMISSION OF ERIC MORRIS & COMPANY IS STRICTLY PROHIBITED.

TITLE:

13-4040/2 Hinge Template

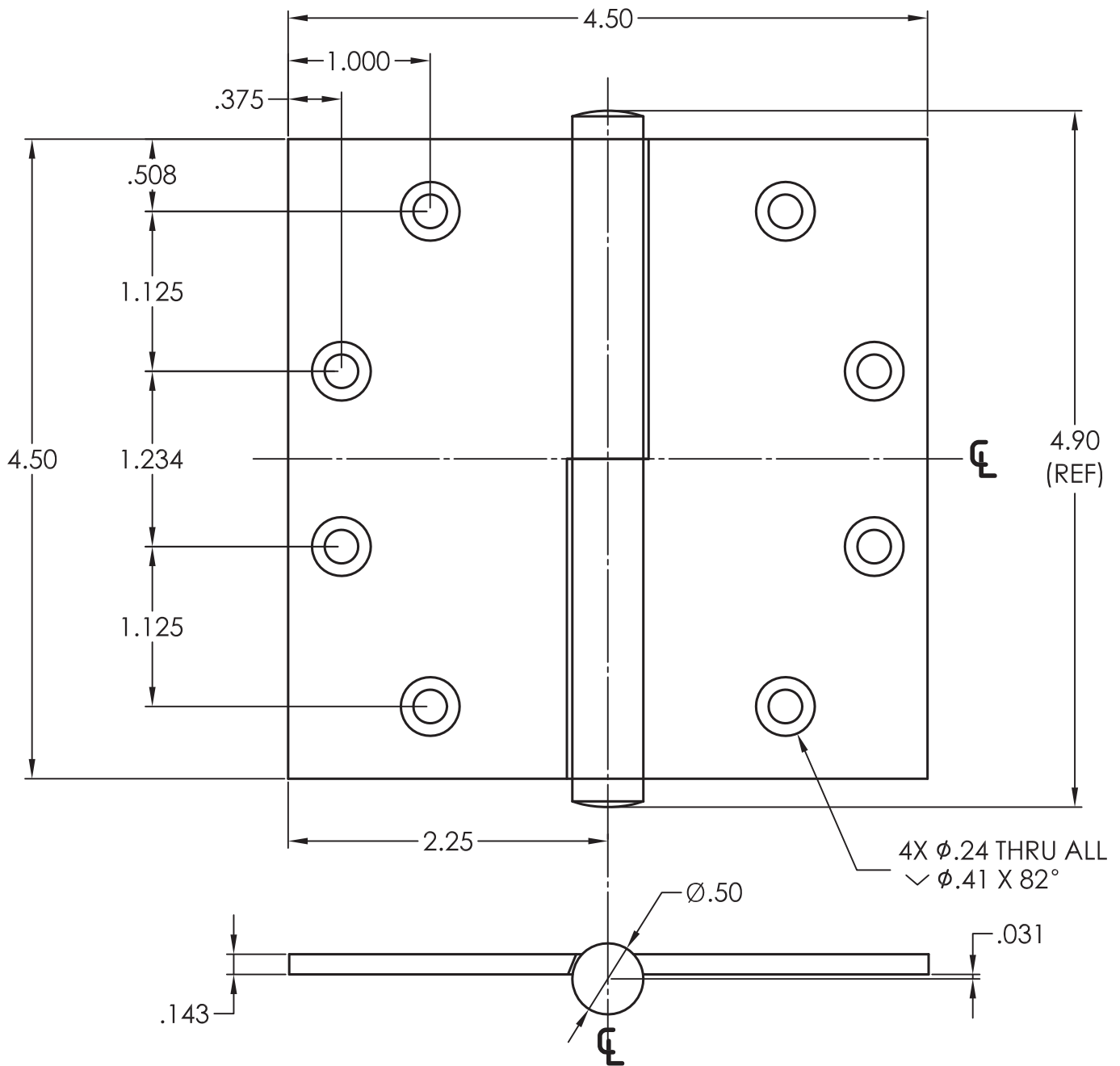
DO NOT SCALE DRAWING

SCALE:1:1

SHEET 1 OF 1



Phone: +1-856-997-0222
 Fax: +1-856-294-5116
 Email: info@ericmorrisandco.com
 Web: <http://www.ericmorrisandco.com>
 Address: ERIC MORRIS & COMPANY
 7249-A Browning Road
 Pennsauken, NJ 08109



NOTE1: Hinge is symmetrical about the center line(s)

*NOTE2: REF dimension across finials, hinge shown with standard finials, additional finials available at additional cost.

THE INFORMATION CONTAINED IN THIS DRAWING IS THE SOLE PROPERTY OF ERIC MORRIS & COMPANY. ANY REPRODUCTION IN PART OR AS A WHOLE WITHOUT THE WRITTEN PERMISSION OF ERIC MORRIS & COMPANY IS STRICTLY PROHIBITED.

TITLE:

13-4545/2 Hinge Template

DO NOT SCALE DRAWING

SCALE:1:1

SHEET 1 OF 1



Phone: +1-856-997-0222
 Fax: +1-856-294-5116
 Email: info@ericmorrisandco.com
 Web: <http://www.ericmorrisandco.com>
 Address: ERIC MORRIS & COMPANY
 7249-A Browning Road
 Pennsauken, NJ 08109