

Sink Leonardo Gun Metal 1B 31" – UM - 1014 666



Sinks

Code: 1014 666

PVD Gun Metal
AISI 304 Stainless steel
Satin finish
Undermount
x cross bending for easy water draining



DETAILS

Series	Leonardo
Coloring	Gun Metal
Finish	Satin finish
Finish	PVD
Material	AISI 304 stainless steel
Thickness	16 Gauge (1.5 mm)
Inset type	Undermount
Overall dimensions	32 ¹⁹ / ₃₂ " x 19 ¹⁹ / ₆₄ "

Bowls dimensions	1 bowl 31 ⁷ / ₆₄ " x 15 ³ / ₄ "
Bowls depht	10 "
Cut out	31 ⁷ / ₆₄ " x 17 ⁵¹ / ₆₄ "
Waste fitting type	3 ¹ / ₂ " - with stainless steel basket
Bowls bottom	X cross bending for easy water draining
Underside	Protected with heavy duty undercoating
Fixing system	Undermount fixing kit (brass insert and clips)

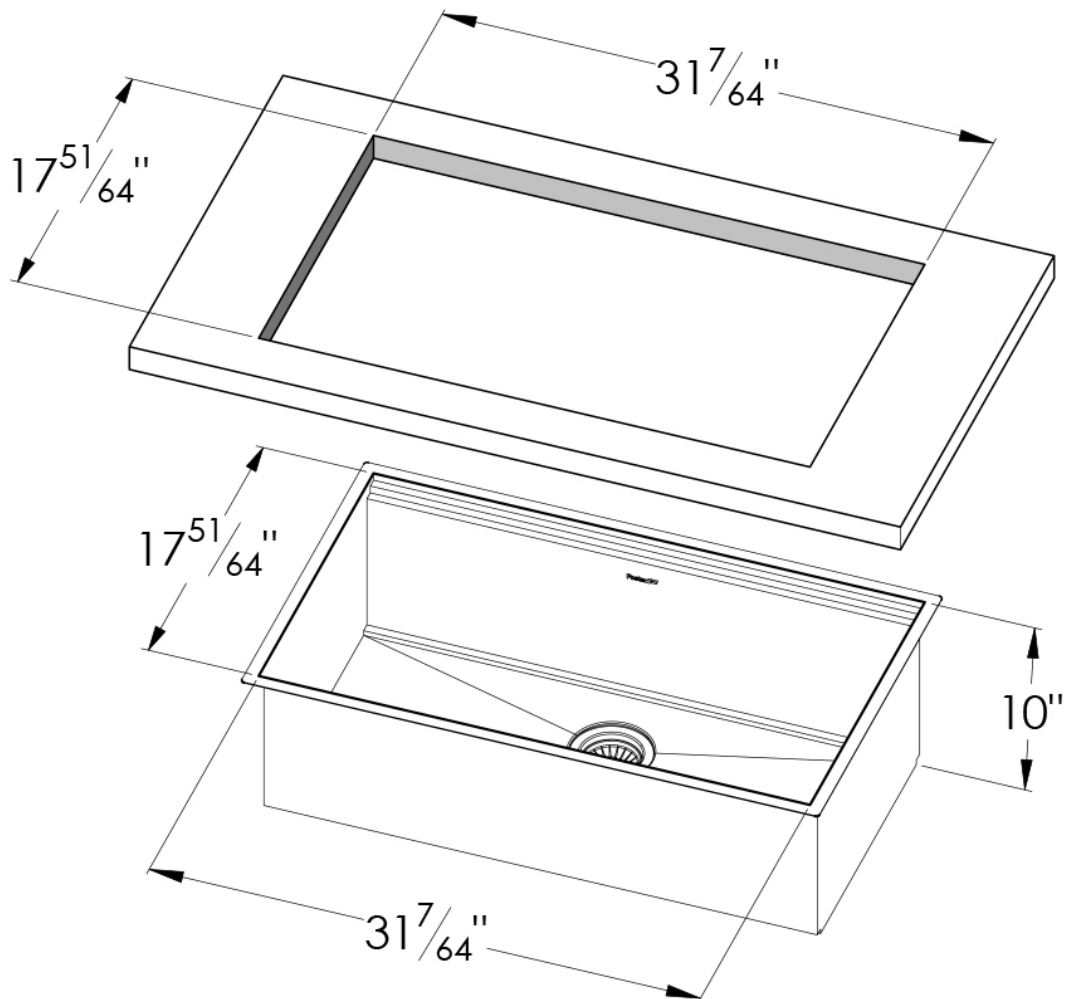
FEATURES

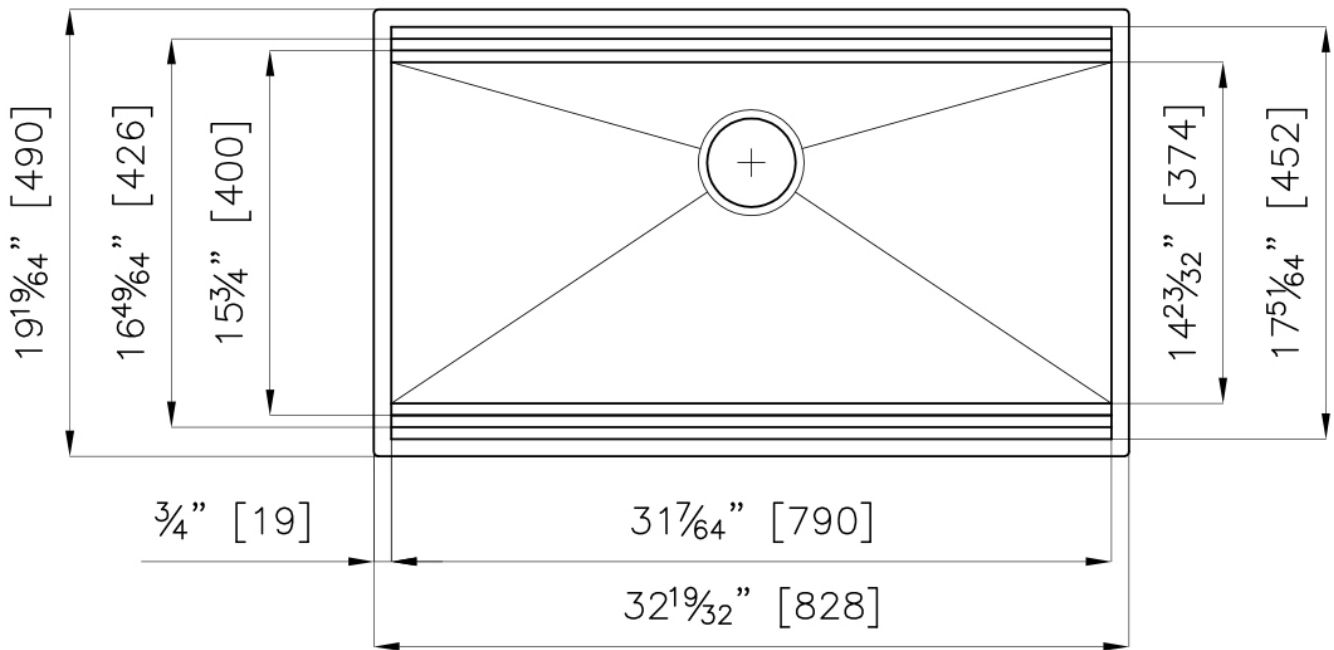
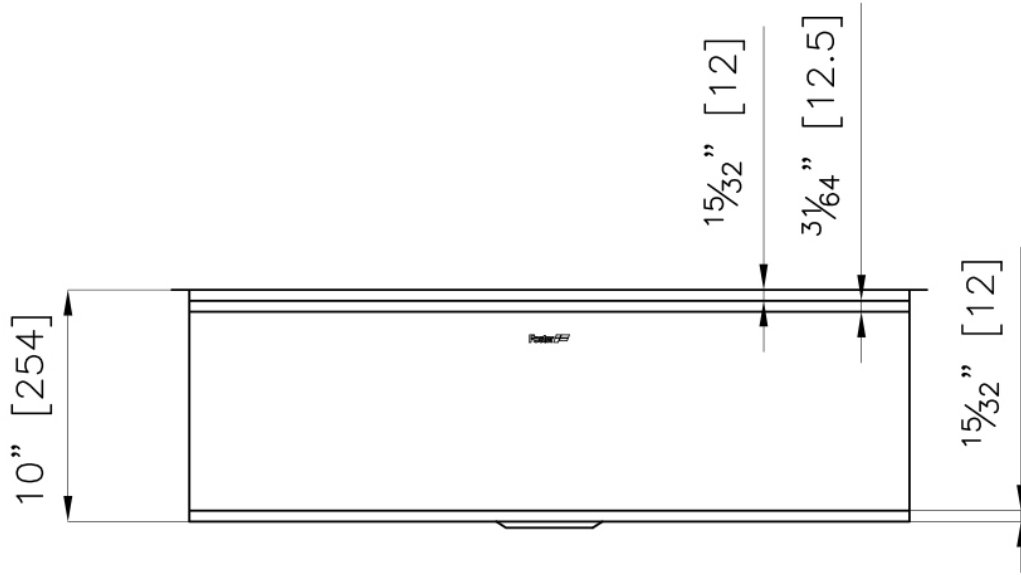
GUN METAL	The Gun Metal finish is obtained by treating steel with a physical process called PVD (Phisical Vacuum Deposition) which deposits particles of noble metals on the surface. The result is a unique and refined aesthetic effect, and an improvement of the mechanical properties of the steel which is more resistant to impact and scratches.
Diamond-shape bottom	The draining of water is an important feature in a sink, and it's always taken good care of in Foster products. In the bent-welded sinks, which would have a flat bottom, the proper draining is guaranteed by the elegant beveling, which helps the water flow.
High thickness	1.5 mm thick steel. A significant thickness, which guarantees the maximum sturdiness and durability.
Basket 3,5" waste fitting	The drain is equipped with a large 3.5" drain, with the practical basket cap that prevents the discharge of solid parts. The 3.5 "drain allows the use of the Foster waste-disposer, compatible with all models.

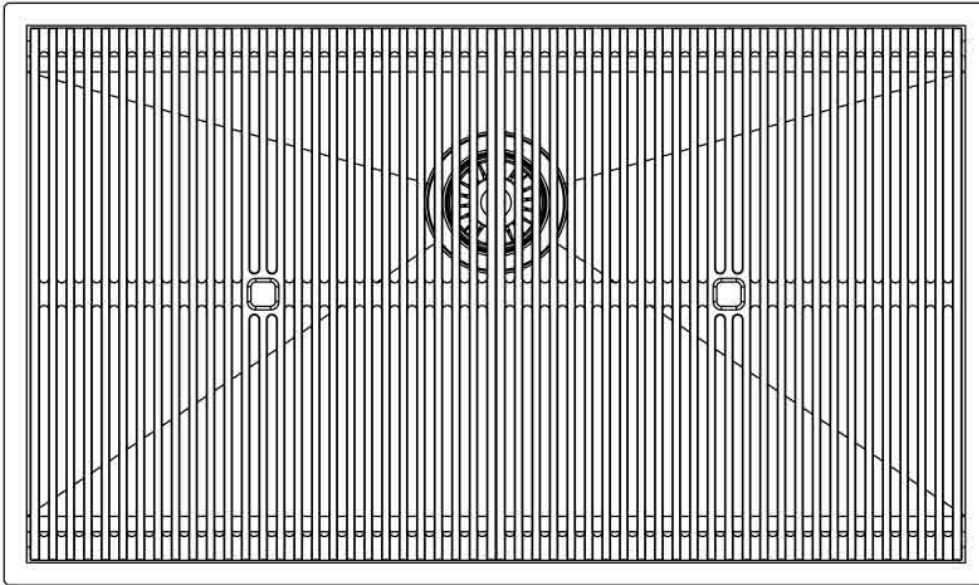
Triple recess - sliding accessories

The Foster Milano sink has an ingenious design that makes it simple to use a large set of optional accessories. On the topmost supporting step, the innovative Black grids slide, creating a large and practical surface to rinse food and crockery. The second step is meant to support and allow the sliding of a complete combination of accessories, which make some operations practical and safe: rinse, drain, slice, grate... everything can be done inside the sink. The third supporting step is on the bottom of the bowl. On this step one can rest the Black grids, making it possible to rinse foodstuffs without their coming in contact with the bottom of the sink, which may be dirty.

TECHNICAL DATA





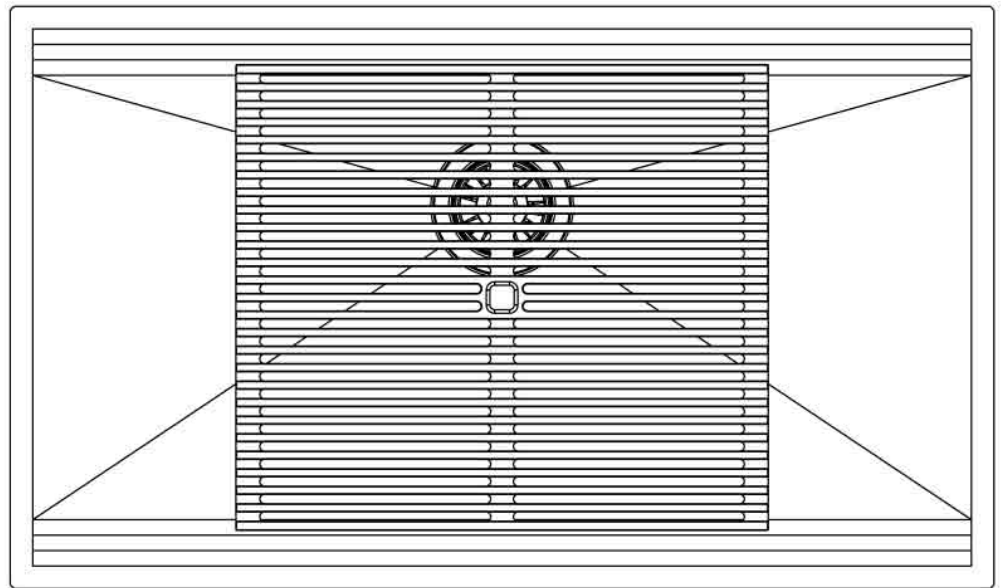


Edge
positioning

8100 600

8100 600

8100 600



Bottom
positioning

OPTIONAL ACCESSORIES



3 Bottles-holder set 8100 621



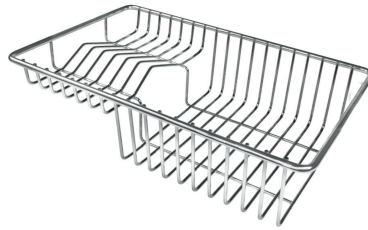
3 Bowls set 8100 622



4 Spices-holder set 8100 620



Grating kit complete with ring support and food collection tray 8159 101



Stainless Steel dishes holder 8100 303



Stainless steel perforated pan 8151 000



White bowl 8153 100



Twin Chopping Board - 8644 101



Chopping Board 8631 300



Black Grid 8100 600



Chopping Board - 8642 000

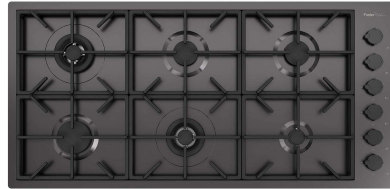
WARNING:

The accessories 8159101, 8100303, 8151000 are only usable in combination with 8644101

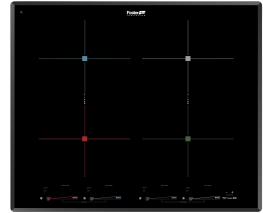
RECOMMENDED PAIRINGS



Faucet Capri Gun Metal - 8467
605



Milano Cooktop Gun Metal 6
burnes - 7639 906



Milano Induction Cooktop 4 Plate
- 7371 945