

crosswater^x

LONDON

Fenmore Widespread Basin Faucet 28-08

Installation Instructions



Tools You Will Need



Adjustable Wrench



Adjustable Pliers



Teflon Tape

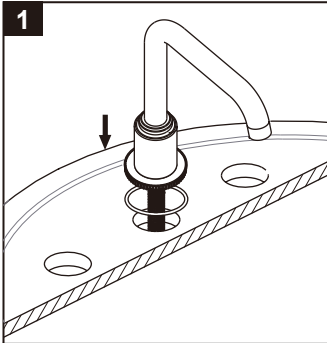
For ease of installation you will need:

- To read the installation instructions completely before beginning.
- To read all warnings, care, and maintenance information.

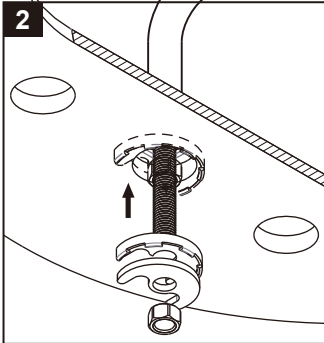
Before beginning installation, check for any damage that may have occurred during transport.

Note: Damage claims cannot be made during or after installation.

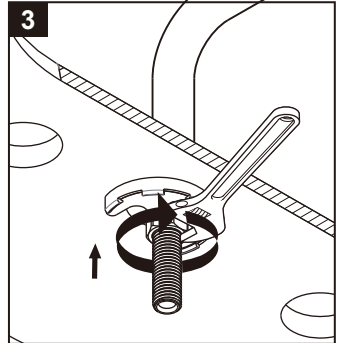
Installation Instructions



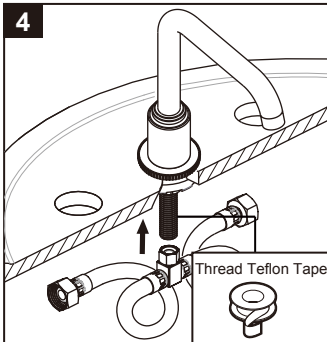
Lower spout into mounting hole.



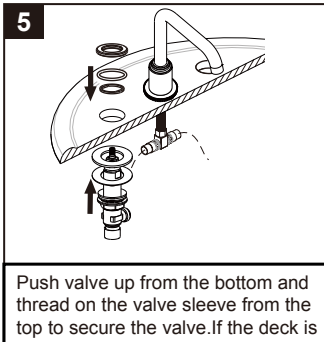
Slide "C" washer up on supply tube.



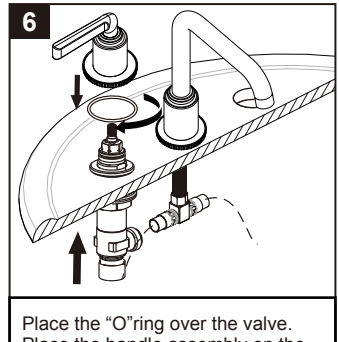
Carefully tighten spout nut to secure spout.



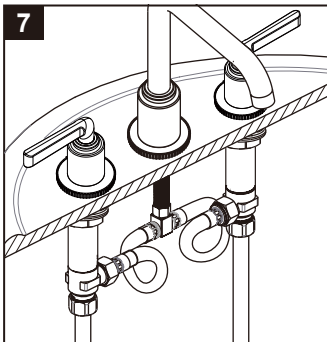
Apply teflon tape to the bottom of the spout supply tube and thread on tee.



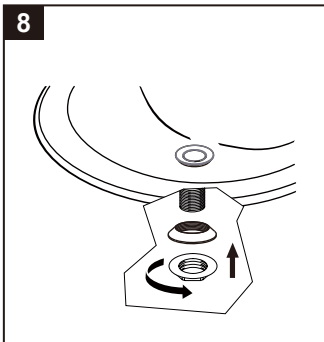
Push valve up from the bottom and thread on the valve sleeve from the top to secure the valve. If the deck is less than 1 3/8" thick use the supplied spacer. If the deck is thicker than 1 3/8" do not use the spacer.



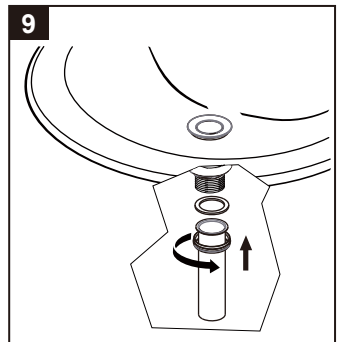
Place the "O" ring over the valve. Place the handle assembly on the valve. Secure the assembly by turning the handle hub clockwise.



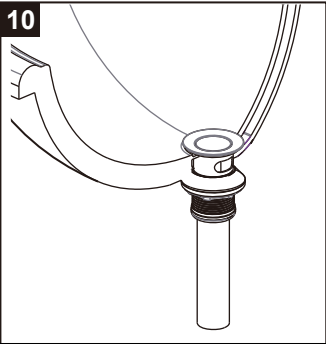
Install water inlet hoses.



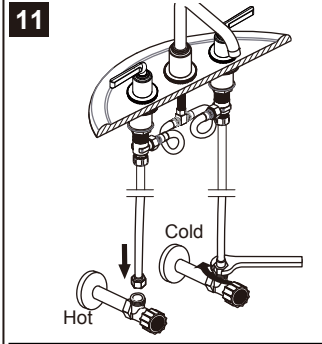
Slide push drain trim and plug into drain hole and secure from below.



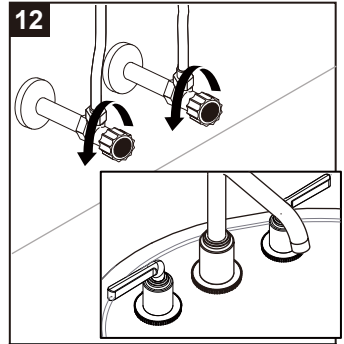
Install the drain tail piece to the drain plug.



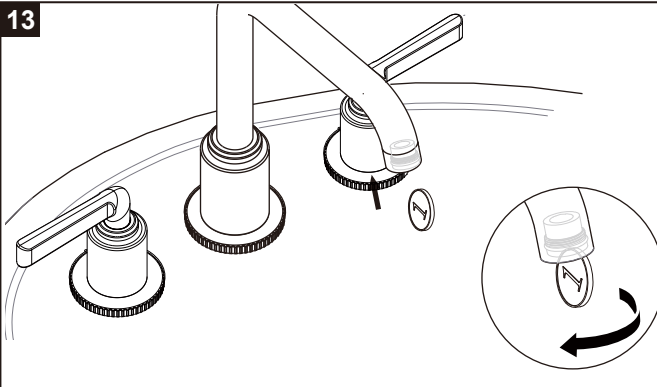
Push drain to test.



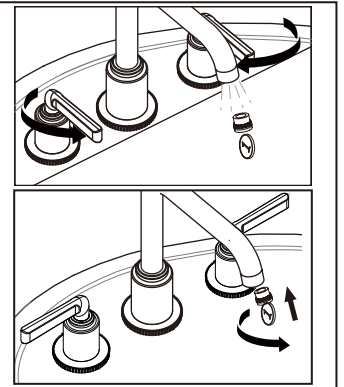
Attach customer-supplied water supply lines.



Turn on angle stops and check all connections for leaks.



Remove aerator with coin and flush out debris.



Cleaning Instructions

Rinse away any traces of soap and gently dry with a clean, soft cloth after each use. Rinse completely with water and dry any

overspray. This will maintain the finish and avoid water spotting.

To remove mineral deposits, use a 50/50 solution of white vinegar and water. Do not allow the solution to soak on the product.

Simichrome Polish® contains a protective film to enhance maintenance and is helpful in preventing water spot buildup. Follow

instructions to ensure optimum results.

Never use an abrasive material such as a brush or scouring pad to clean the surface. The use of abrasive cleaners, cleansers or

disinfectants will alter the surface finish and void the warranty.

Do not allow certain materials such as toothpaste, cologne, shaving cream, nail polish remover, vinegar, wine, drain and glass

cleaners to remain on the surface. Prolonged contact will alter surface finishes and void the warranty.

We DO NOT recommend using any household cleaners as many can cause damage to the finish.

Please see the website for care instructions for specific finishes.

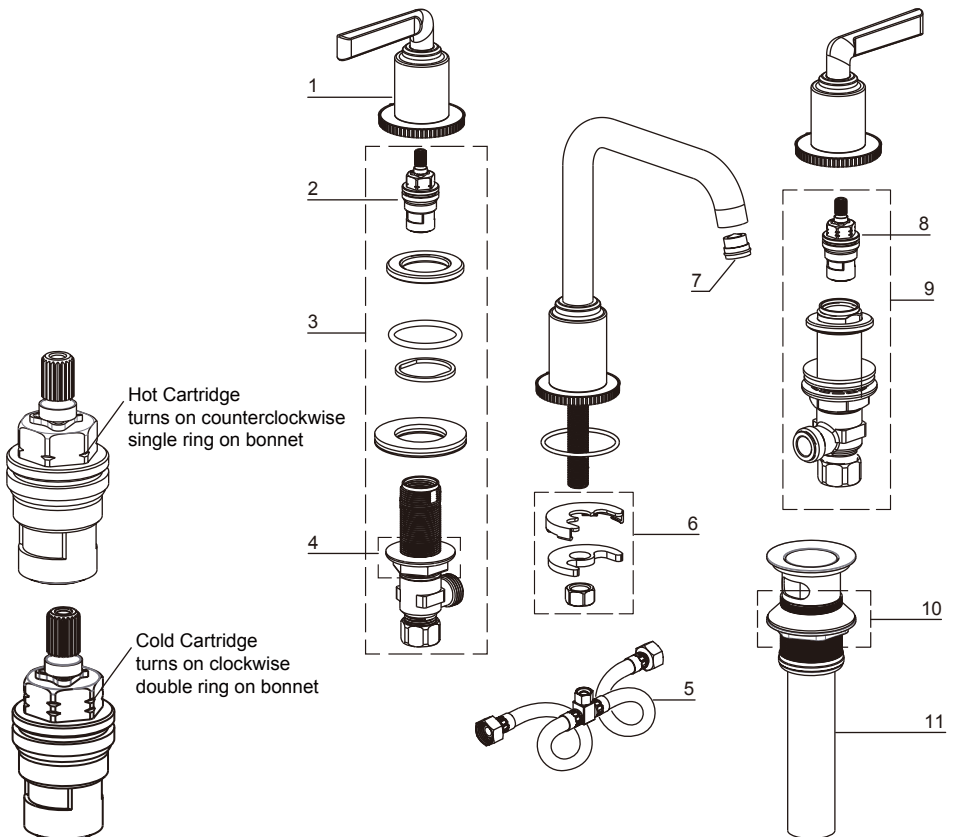
Trouble-Shooting

If you have followed the instructions and your faucet still does not work properly take these corrective steps

| Problem | Cause | Action |
|---|---|--|
| Leaks under an escutcheon | Cartridge "O" ring is damaged. Cartridge is loose. | Remove cartridge, rinse "O" ring and reinstall cartridge |
| Aerator leaks or has an inconsistent water flow pattern | Aerator is dirty or mis-threaded | Remove aerator with key and flush out debris. Reinstall aerator and save aerator key for homeowner |
| Only hot or only cold water is coming out of the spout | The hot or cold stop valve is not opened | Open the hot or cold stop valves |
| Handle will not turn | Cartridge is dirty or mis-fitted | Remove, rinse and reinstall cartridge |

Replacement Parts

| No. | Description | Part No. |
|-----|----------------------------------|--------------|
| 1 | Handle & Escutcheon Assembly | 5Y0342100 |
| 2 | Lavatory Cartridge (Hot) | 52009347NT7 |
| 3 | 52009346CC7 | |
| 4 | Washer & Nut for Lavatory Valve | 995216G |
| 5 | 2 Supply Hoses with Tee | 52009319NC7 |
| 6 | Lavatory Spout Mounting Hardware | 9Q1129NT |
| 7 | Aerator | 5E0005200PL0 |
| 8 | Lavatory Cartridge (Cold) | 52009335NT7 |
| 9 | Lavatory Valve Assembly (Cold) | 52009333CC7 |
| 10 | Push Drain Mounting Hardware | 9Q0938NT |
| 11 | Push Drain Assembly | 5Y0M0196 |



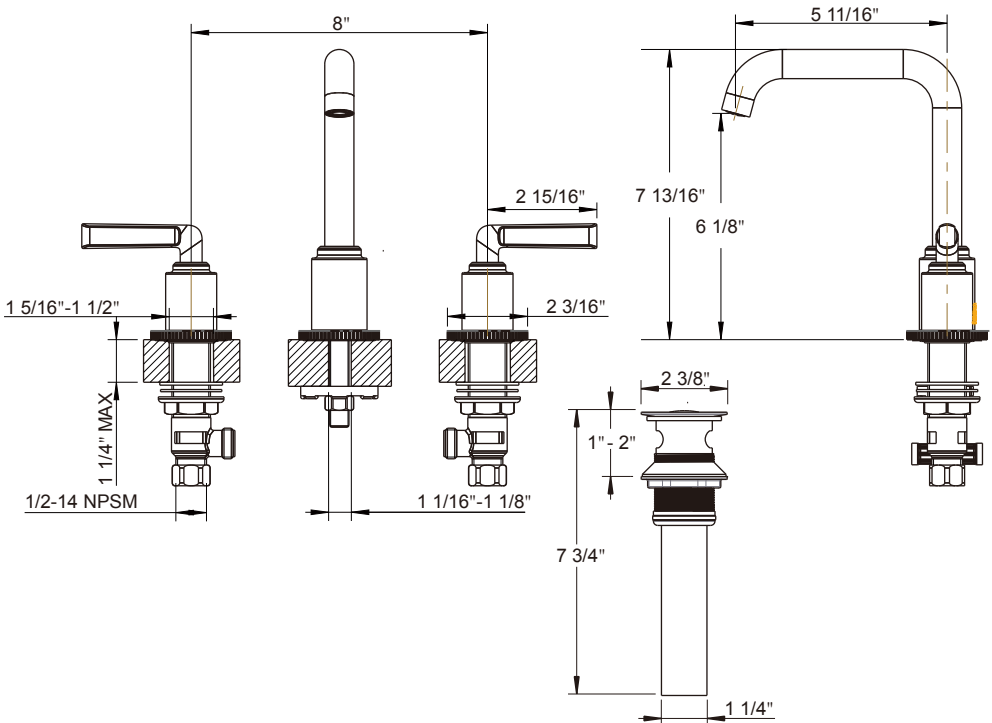
Applicable Standards/Codes

IAPMO certified to meet or exceed the following:

- ASME A112.18.1/CSA B125.1
- Uniform Plumbing Code
- National Plumbing Code of Canada
- NSF/ANSI 61
- Section 116875 of the California Health & Safety Code
- ADA Compliant
- EPA WaterSense



Installation Dimensions



Warranty - This **Crosswater London** product is covered by a limited lifetime warranty. For full details, terms and conditions please visit our website.

For further information contact: **Crosswater London**, 393 Fortune Blvd., Milford, MA 01757

www.crosswaterlondon.com

Toll free number: 844-XWATER-1 (844-992-8371) tel: 508-381-6062 fax: 508-381-6068

email: technical@crosswaterlondon.com