



California Faucets®

# Descanso Works®

## Wall Lavatory

### Features

- Available in 28 finishes including 13 PVD finishes
- All brass construction
- 1.2gpm (4.5 L/min) max flow rate
- Rough valve (CF-VL-R) sold separately

TO-V8002-7/9  
 TO-V8002W-7/9  
 TO-V8002WB-7/9  
 TO-V8002WR-7/9

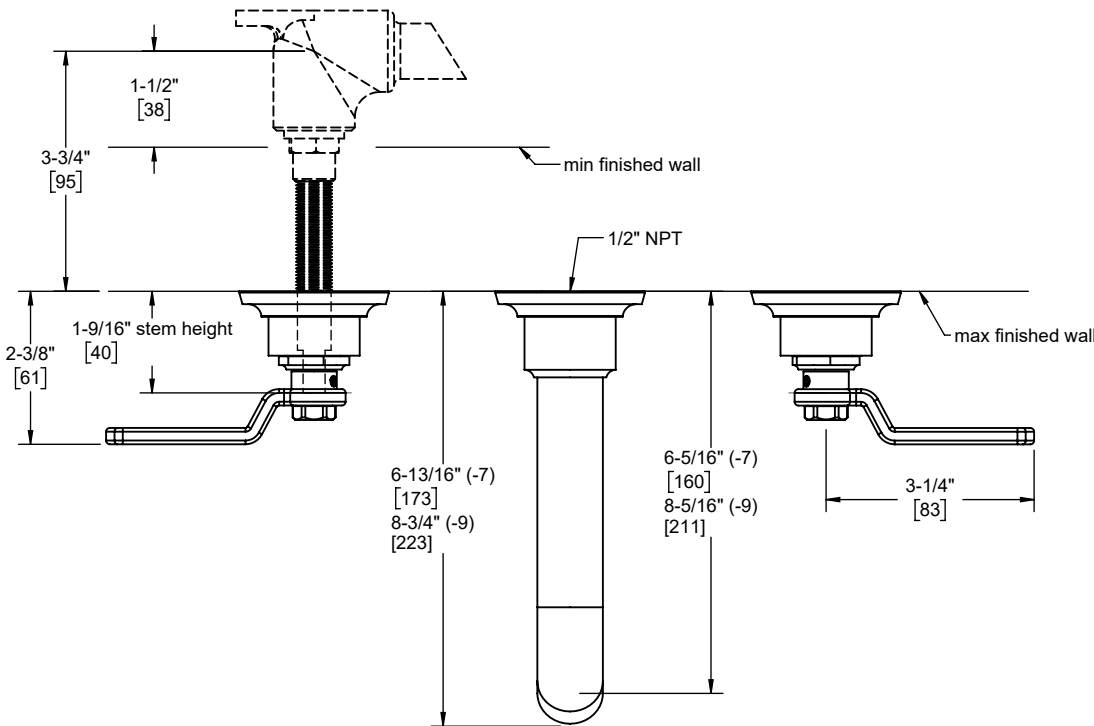
### Codes/Standards

Product meets or exceeds the following:

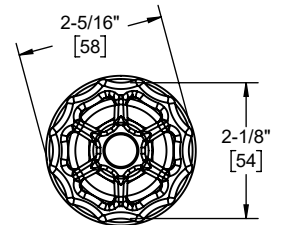
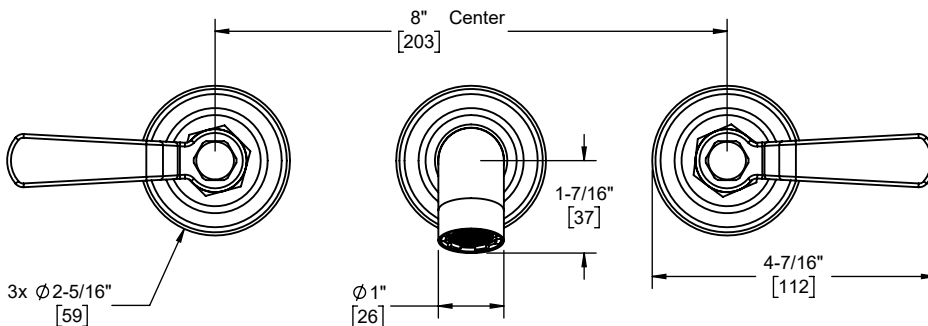
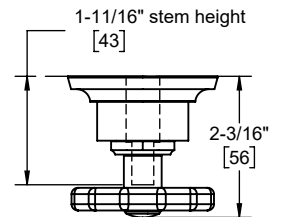
- ASME A112.18.1/CSA B125.1
- NSF 61, NSF 372, CEC & DOE
- EPA WaterSense
- Commonwealth of MA
- ADA compliant with lever handles



TO-V8002-7 shown



TO-V8002W-7/9



Top of Wheel Handle

Through-Hole Specifications		
Min	Recommended	Max
Spout: Ø 15/16" [24]	Ø 1-1/4" [32]	Ø 1-5/8" [41]
Valve: Ø 11/16" [17]	Ø 1-1/4" [32]	Ø 1-5/8" [41]

Specifications subject to change without notice

Dimensions are inches, rounded to 1/16"  
[Dimensions in brackets are mm, rounded to 1mm]