



California Faucets®

Descanso Works®

Single Handle Lavatory Wall Faucet Trim Only

Features

- Available in 28 finishes including 13 PVD finishes
- All brass construction
- Single handle allows for volume & temperature control at any position
- 1.2gpm (4.5 L/min) max flow rate
- Rough valve (SHV-R) sold separately

Codes/Standards Applicable

Product meets or exceeds the following:

- ASME A112.18.1/CSA B125.1
- NSF 61, NSF 372, CEC & DOE
- EPA WaterSense
- Commonwealth of MA
- ADA compliant (lever handle)

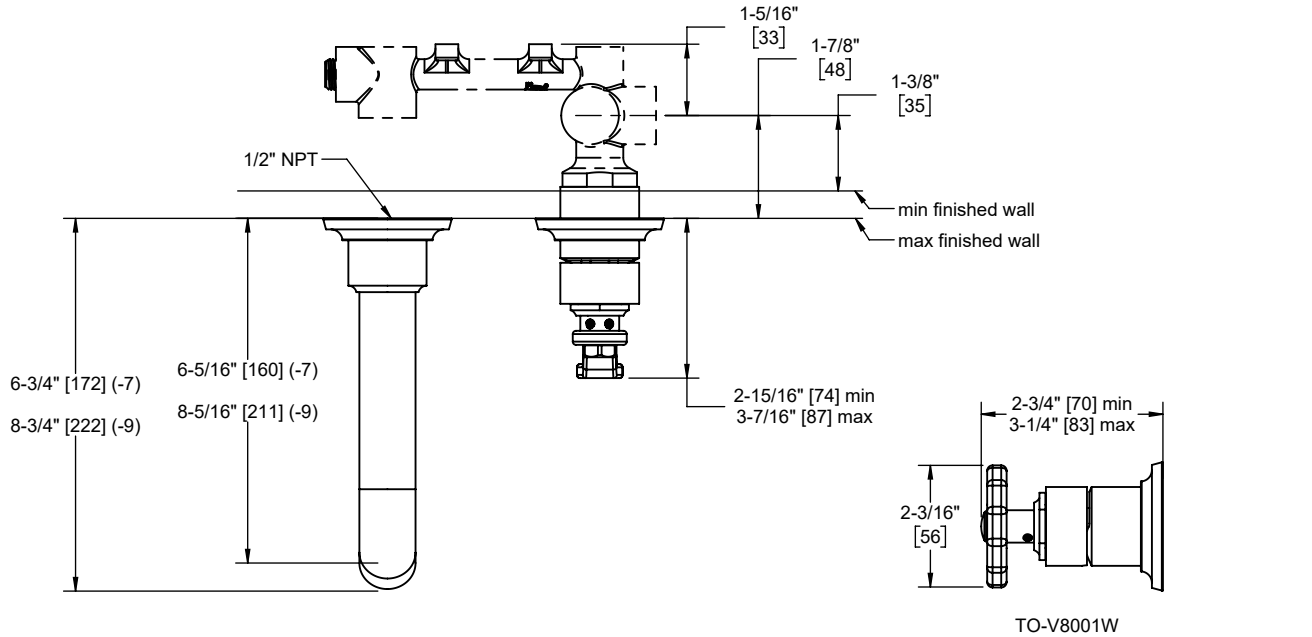
- TO-V8001-7
- TO-V8001W-7
- TO-V8001WR-7
- TO-V8001WB-7
- TO-V8001-9
- TO-V8001W-9
- TO-V8001WR-9
- TO-V8001WB-9



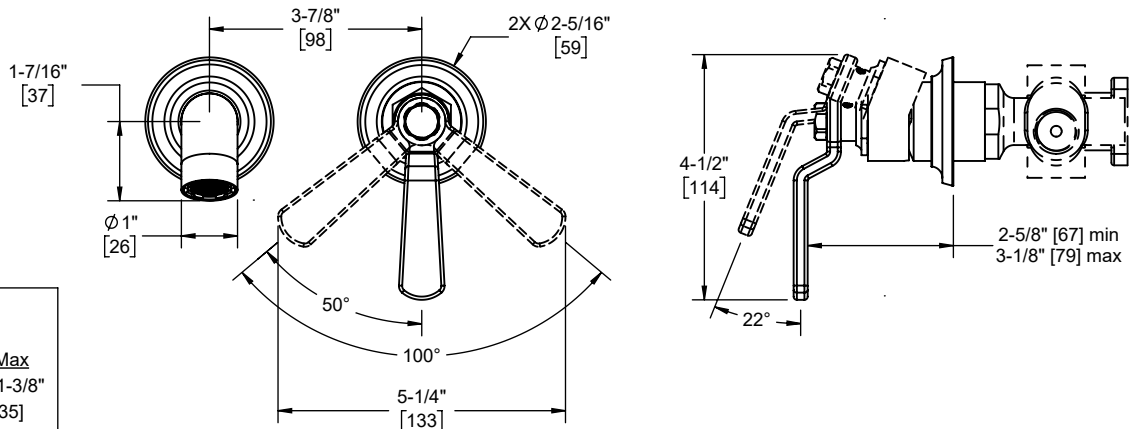
TO-V8001WB-7-SN shown



TO-V8001-7-SN shown



TO-V8001W



Through-Hole Specifications

	Min	Recommended	Max
Spout:	Ø1"	Ø1-1/4"	Ø1-3/8"
	[25]	[32]	[35]
Handle:	Ø1-5/8"	Ø1-3/4"	Ø2"
	[41]	[44]	[51]

Specifications subject to change without notice

Dimensions are inches, rounded to 1/16"
[Dimensions in brackets are mm, rounded to 1mm]