



California Faucets®

Shower Arms

12" Wall Shower Arm

Features

- Available in 28 finishes including 13 PVD finishes
- All brass construction
- Includes adjustable flange

9112-60
 9112-65
 9112-77
 9112-85

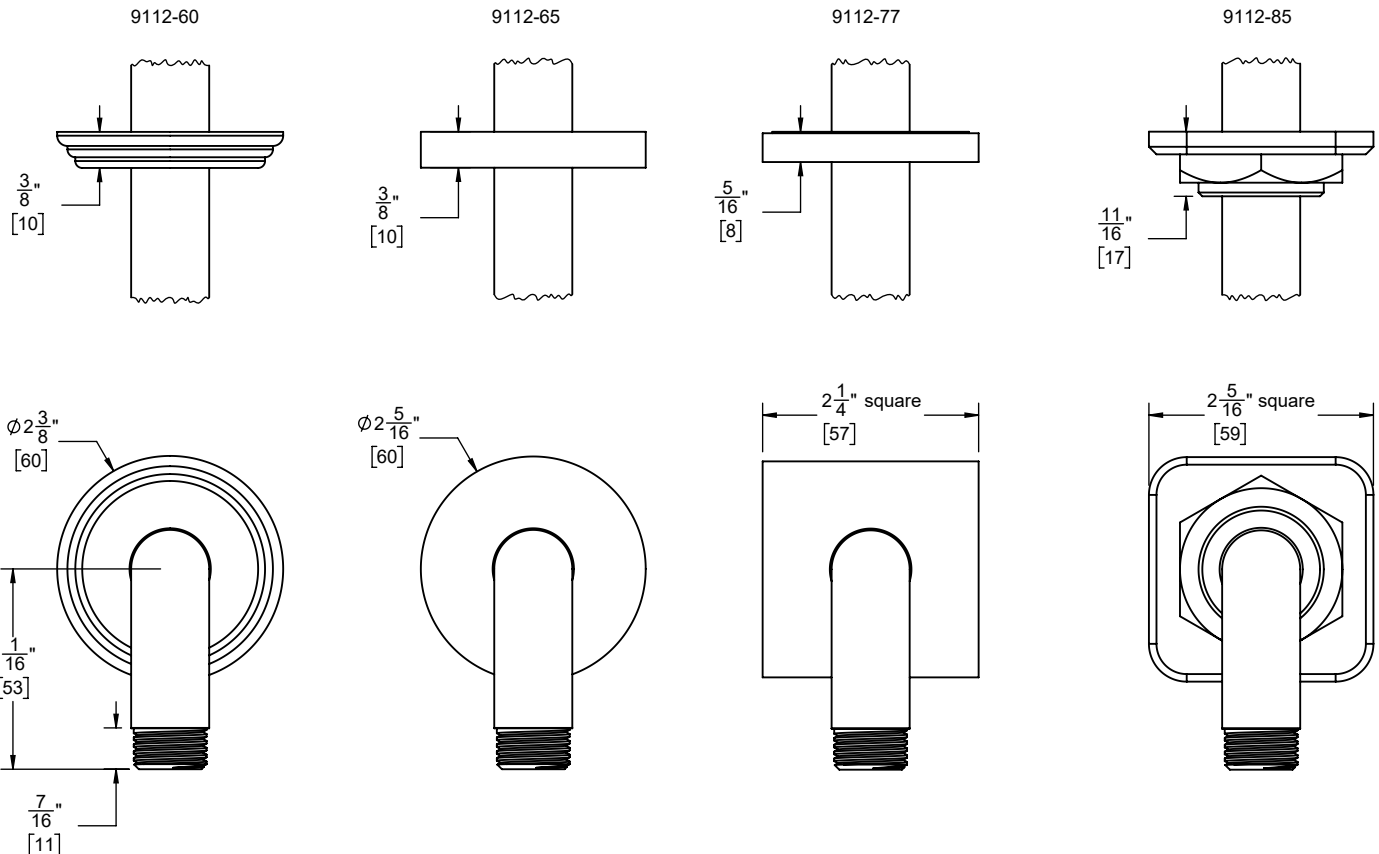
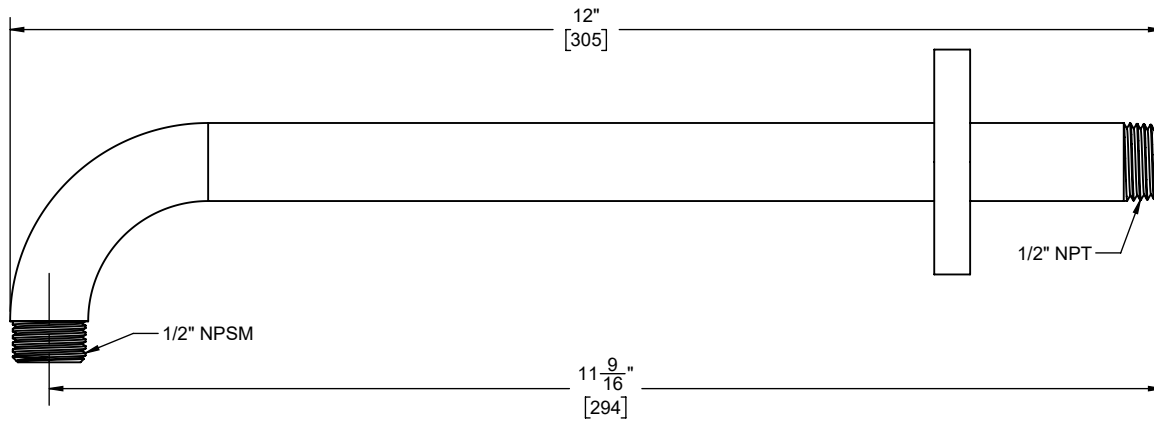


Codes/Standards

Product meets or exceeds the following:

- ASME A112.18.1/CSA B125.1

9112-65-PC shown



Specifications subject to change without notice

Dimensions are inches, rounded to 1/16"
[Dimensions in brackets are mm, rounded to 1mm]